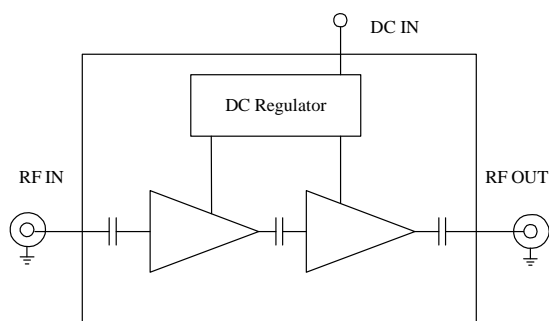


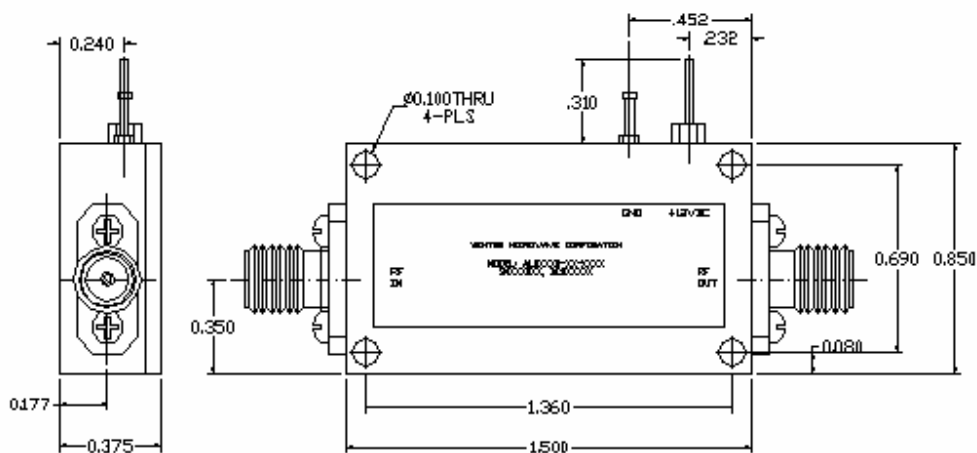
Features:

- Octave bandwidth, specification from 10~1000MHz, usable from 10~1500MHz
- Low noise figure, and high gain
- Low VSWR, unconditional stable
- Small size, low cost
- SMA female connector I/O
- Single DC power supply, low power consumption, internal voltage regulator, operating voltage from +10~+15V
- Operating temperature -40~+85°C, storage temperature -55~+125°C

Functional Diagram**Electrical Specifications**

Parameters	Minimum	Typical	Maximum
Frequency Range	10 MHz		1000MHz
Noise Figure (from 50MHz)		1.0 dB	1.1 dB
P-1dB Compression Point	+16dBm	+18 dBm	
Output IP3	+26 dBm	+28 dBm	
Nominal SS Gain @25°C	47 dB	50dB	54 dB
Gain flatness		+/-1.25 dB	+/-1.5 dB
Gain Variation		+/-1.5 dB	
Input VSWR		1.5:1	1.7:1
Output VSWR		1.5:1	1.7:1
Reverse Isolation	60 dB	65dB	
Spurious			-60 dBc
Operating Temperature	-40°C		+85°C
Survival Temperature	-55°C		+125°C
DC Voltage	+10V	+12 V	+15 V
DC Supply Current	140 mA	170 mA	200 mA
In/Out connectors	SMA female		
Size	1.5"x0.85"x0.375		

Mechanical Structure:



Note: All units in inches.

Absolute Maximum Ratings

DC Voltage	+15V
RF Input Power	+13dBm
Storage Temperature	-55~+125°C
Operating Temperature	-40~+85°C