

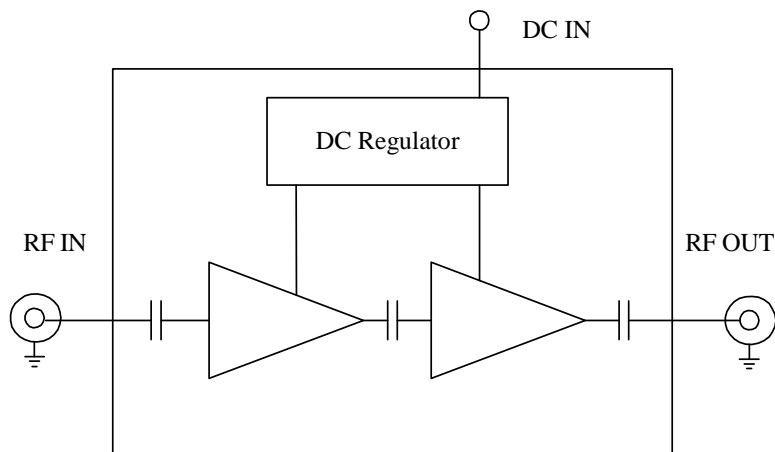
Features:

- Multi-Octave bandwidth, specification from 2.0~4.0GHz
- Low noise figure, and high gain
- Low VSWR, unconditional stable
- Small size, low cost
- SMA female connector I/O
- Single DC power supply, internal voltage regulator
- Operating temperature -40~+85°C, storage temperature -55~+125°C

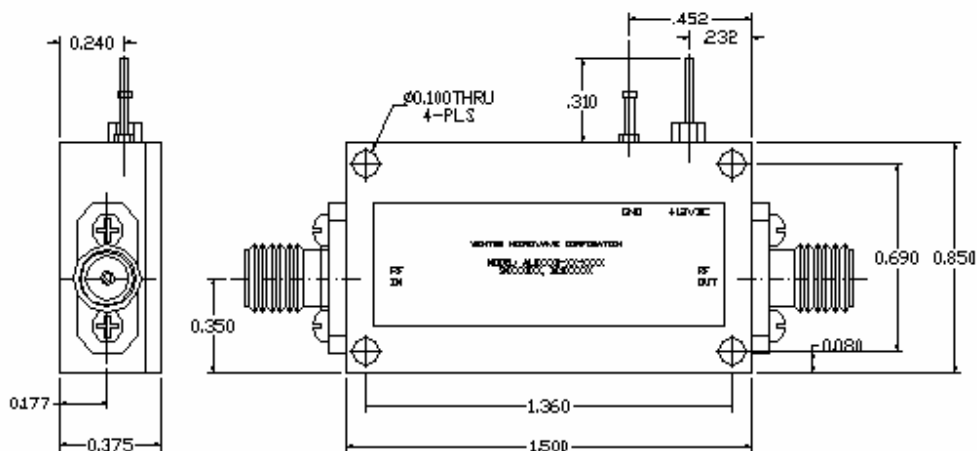
Electrical Specifications

Parameters	Specifications		
	Minimum	Typical	Maximum
Frequency Range	2000 MHz		4000MHz
Noise Figure (from 50MHz)		1.3 dB	1.5 dB
Nominal SS Gain @25°C	35 dB	37dB	39 dB
Gain flatness		+/-1.0 dB	+/-1.5 dB
Gain Variation Over Temperature		+/-1.5 dB	
P-1dB Compression Point	+10.0dBm	+12.0 dBm	
Output IP3	+20.0 dBm	+22.0 dBm	
Input VSWR		1.7:1	2.0:1
Output VSWR		1.7:1	2.0:1
Reverse Isolation		50dB	
Spurious			-60 dBc
Operating Temperature	-40°C		+85°C
Survival Temperature	-55°C		+125°C
DC Voltage	+10.0	+12 V	+15.0
DC Supply Current	75 mA	90 mA	110 mA
RF In/Out connectors	SMA female		
DC Input Connector	Feed-thru PIN		
Size	1.5"x0.85"x0.375		

Functional Diagram



Mechanical Structure:



Note: All units in inches.

Absolute Maximum Ratings

DC Voltage	+15V
RF Input Power	+10 dBm
Storage Temperature	-55~+125°C
Operating Temperature	-40~+85°C