

Features:

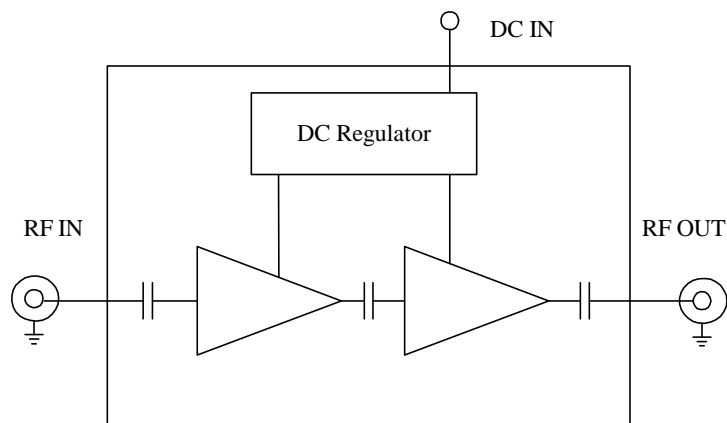
- Broad band operation from 2.0 to 6.0 GHz
- Low VSWR, unconditional stable
- Small size, low cost
- SMA female connector I/O
- Single DC power supply, internal voltage regulator allowing operating voltage from +8V to +15V range
- Operating temperature -40~+85°C, storage temperature -55~+125°C



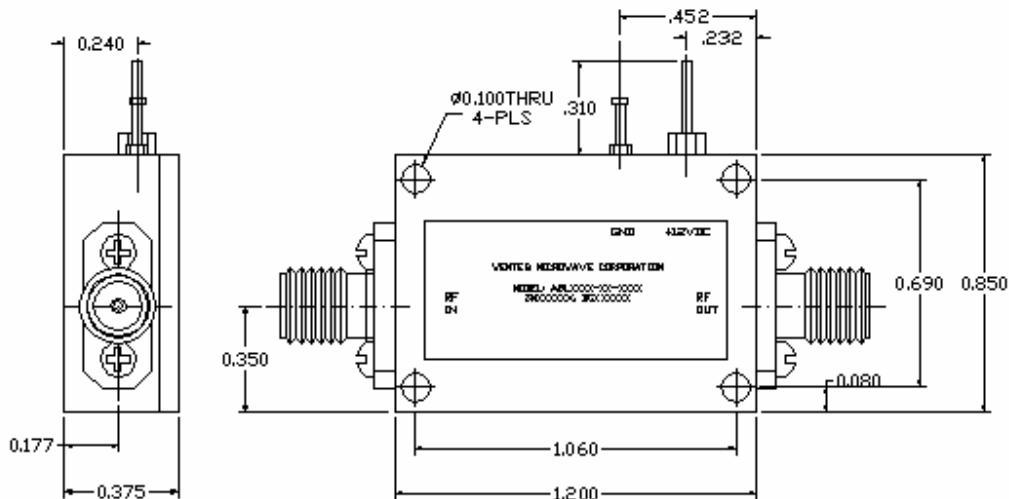
Electrical Specifications

| Parameters | Specifications | | |
|---------------------------|------------------|------------|-----------|
| | Minimum | Typical | Maximum |
| Frequency Range | 2000 MHz | | 6000MHz |
| Noise Figure (from 50MHz) | | 0.8 dB | 1.0 dB |
| Nominal SS Gain @25°C | 24 dB | 26dB | 29 dB |
| P-1dB Compression Point | | | |
| 2.0GHz | +6.5 dBm | +7.5 dBm | |
| 4.0GHz | +10.0 dBm | +11.0 dBm | |
| 6.0GHz | +12.5 dBm | +14.0 dBm | |
| Gain flatness | | +/-0.85 dB | +/-1.1 dB |
| Gain Variation | | +/-1.0 dB | |
| Input VSWR | | 1.5:1 | 1.8:1 |
| Output VSWR | | 1.5:1 | 1.8:1 |
| Reverse Isolation | 40dB | 35dB | |
| Spurious | | | -60 dBc |
| Operating Temperature | -40°C | | +75°C |
| Survival Temperature | -55°C | | +125°C |
| DC Voltage | +8.0V | | +15 V |
| DC Supply Current | 40 mA | 50 mA | 60 mA |
| RF In/Out connectors | SMA female | | |
| DC Input Connector | Feed-thru PIN | | |
| Size | 1.2"x0.85"x0.375 | | |

Functional Diagram



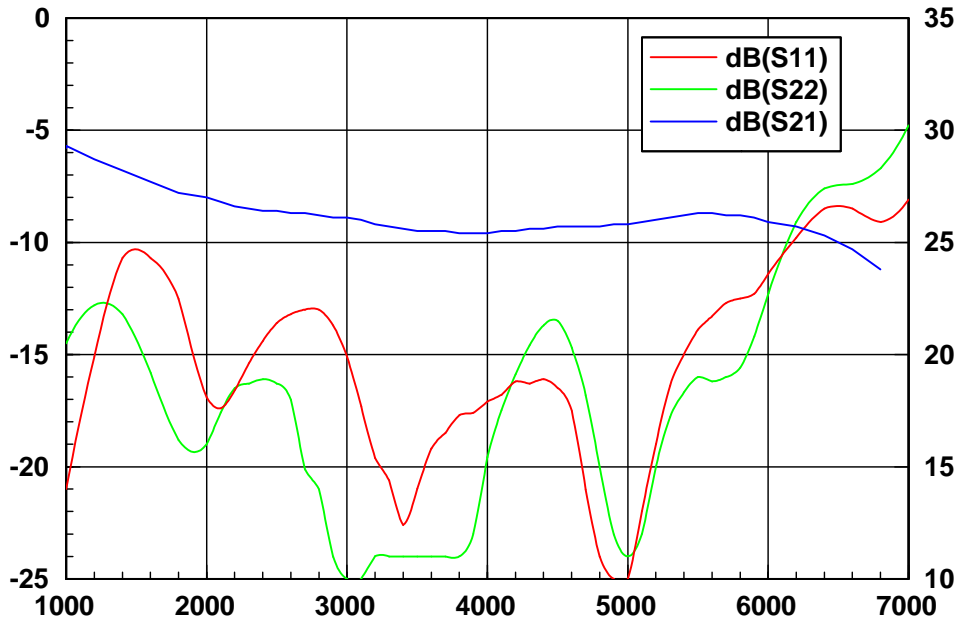
Mechanical Structure:



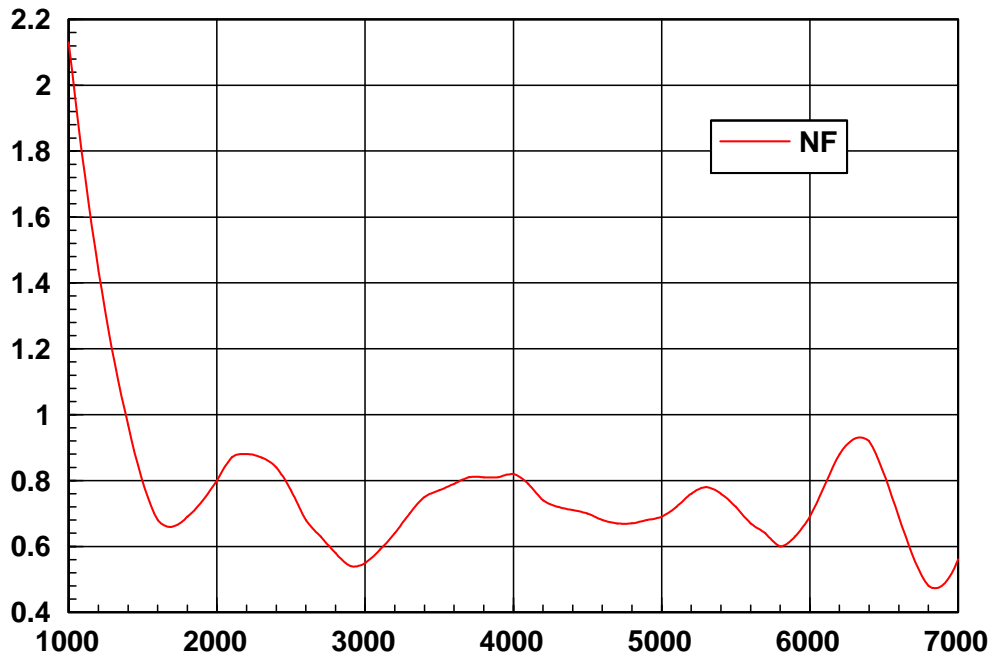
Note: All units in inches.

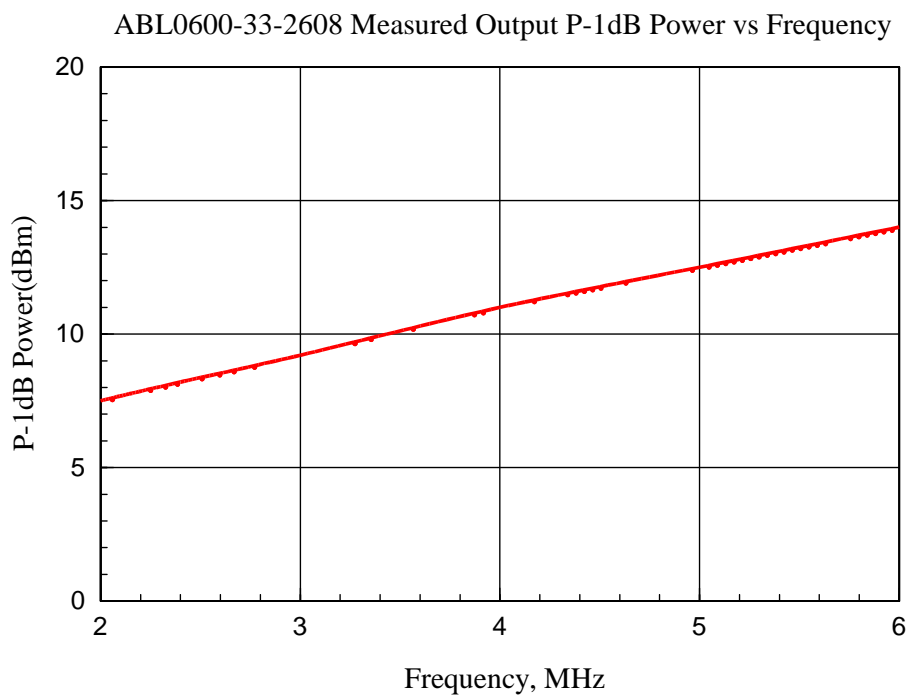
Typical Test Results:

ABL0600-33-2608 Measured Gain and Return Loss vs Frequency



ABL0600-33-2608 Measured Noise Figure vs Frequency





Absolute Maximum Ratings

| | |
|-----------------------|------------|
| DC Voltage | +15V |
| RF Input Power | +5 dBm |
| Storage Temperature | -55~+125°C |
| Operating Temperature | -40~+75°C |