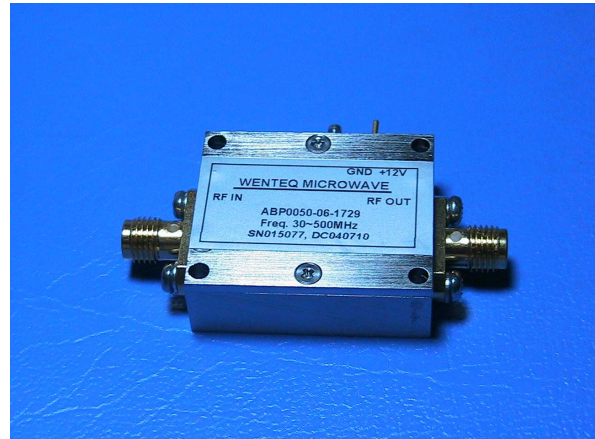


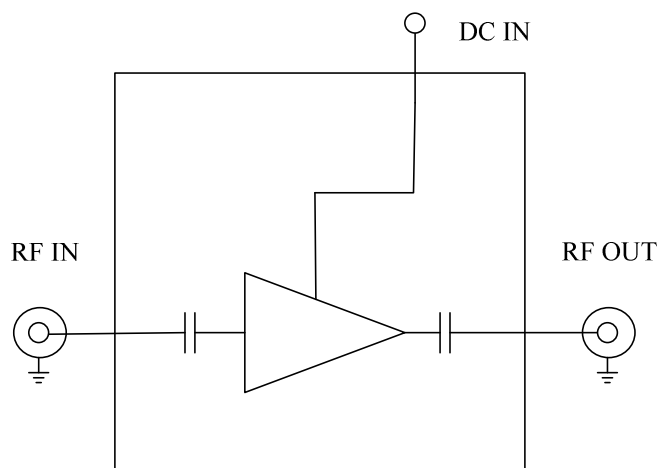
Features:

- Octave bandwidth, specification from 30~500MHz
- Low noise figure, high gain with good gain flatness
- Low VSWR, unconditional stable
- Small size, low cost
- SMA female connector I/O
- Single DC power supply
- Operating temperature -40~+75°C, storage temperature -55~+125°C

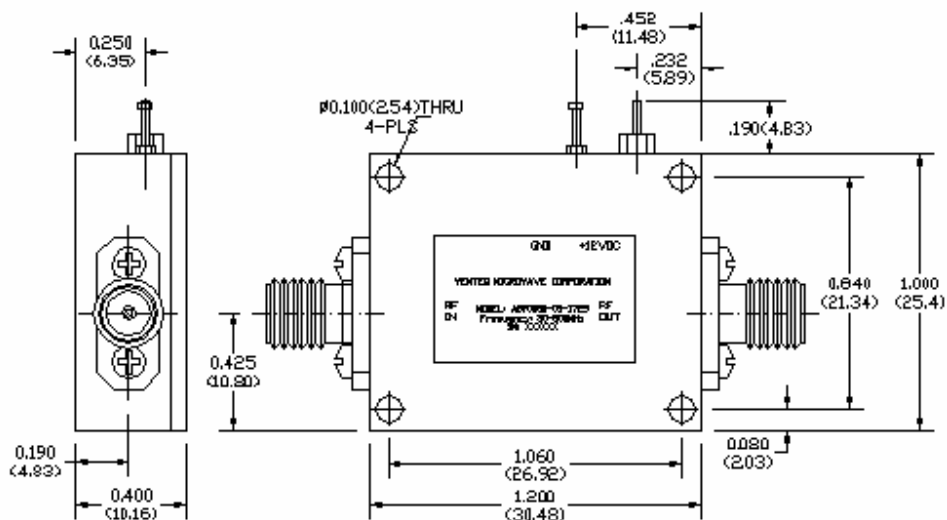
**Electrical Specifications**

Parameters	Minimum	Typical	Maximum
Frequency Range	30 MHz		500MHz
P-1dB Compression Point	+29 dBm	+30 dBm	
Output IP3	+40 dBm	+45 dBm	
Nominal SS Gain @25°C	15.5 dB	17dB	18.5 dB
Gain flatness		+/-0.5 dB	+/-0.75 dB
Gain Variation		+/-1.0 dB	
Noise Figure		3.0 dB	4.0 dB
Input VSWR		1.6:1	2.0:1
Output VSWR		1.8:1	2.0:1
Reverse Isolation	20 dB	25dB	
Spurious			-60 dBc
Operating Temperature	-40°C		+75°C
Survival Temperature	-55°C		+125°C
DC Voltage	+11V	+12 V	+13 V
DC Supply Current	290 mA	320 mA	350 mA
In/Out connectors	SMA female		
Size	1.2"x1.0"x0.4"		

Functional Diagram



Mechanical Structure:



Note: All units in inches (mm).

Absolute Maximum Ratings

DC Voltage	+13V
RF Input Power	+16dBm
Storage Temperature	-55~+125°C
Operating Temperature	-40~+75°C