

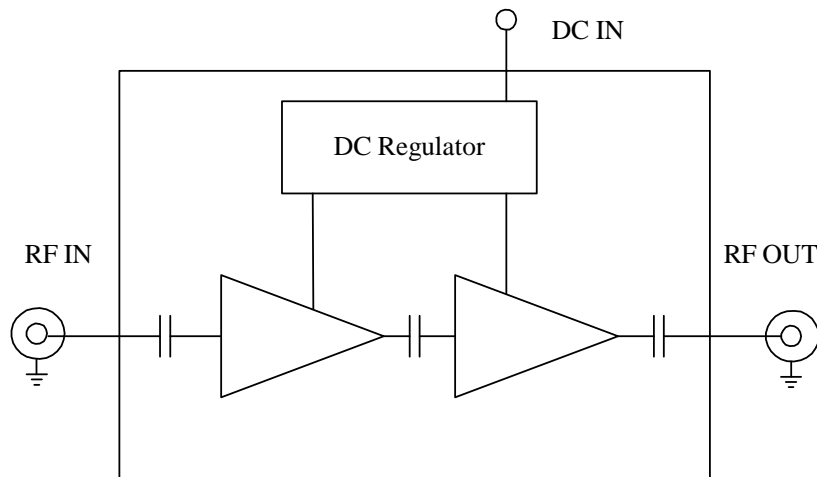
## Features:

- Broad band operation from 0.5 GHz to 10.0 GHz
- Low VSWR, unconditional stable
- Small size, low cost
- SMA female connector I/O.
- Single DC power supply, internal voltage regulator, operating voltage from +10~+12V
- Operating temperature -40~+75°C, storage temperature -55~+125°C

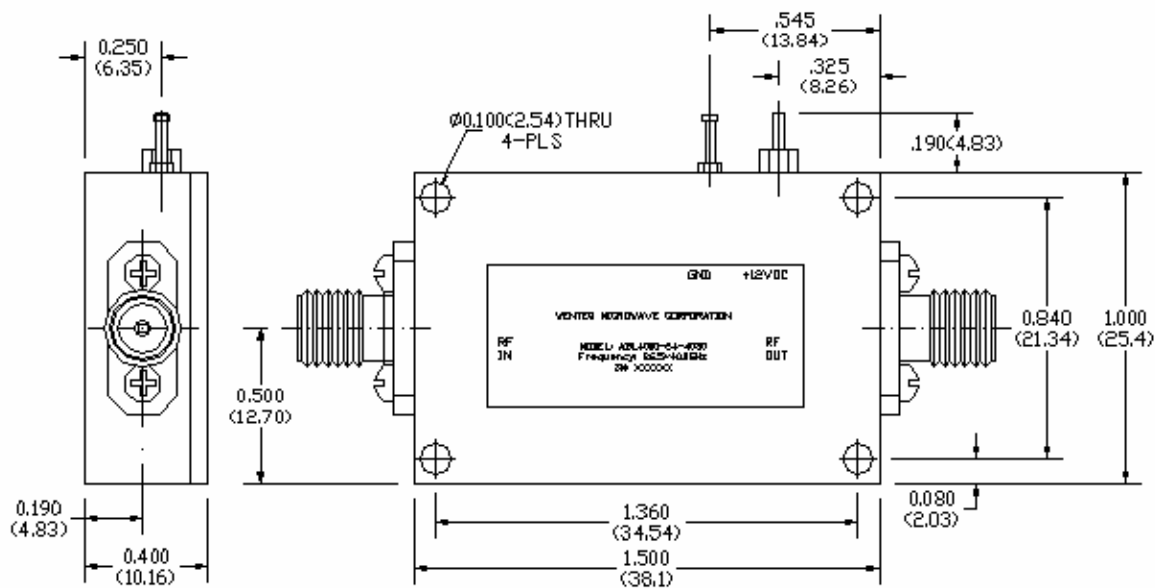
## Electrical Specifications

Parameters	Units	Specifications		
		Minimum	Typical	Maximum
Frequency Range	GHz	0.5		10.0
Small Signal Gain @25°C	dB	28.0	32.0	36.0
Noise Figure @25°C	dB		3.0	5.0
P-1dB Compression Point	dBm	+24.0	+25.0	
Output IP3	dBm	+30.0	+33.0	
Gain flatness	dB		+/-1.0	+/-1.5
Gain Variation	dB		+/-2.5	
Input VSWR			1.8:1	2.0:1
Output VSWR			1.8:1	2.0:1
Reverse Isolation	dB	45.0	51.0	
Non-Harmonic Spurious	dBc			-60.0
Operating Temperature	°C	0		+50
Survival Temperature	°C	-55		+125
DC Voltage	V	+10.0		+12.0
DC Supply Current	mA	350 mA	375 mA	400 mA
In/Out connectors		SMA Female		
Size	inches	1.5"x1.0"x0.4"		

Functional Diagram



Mechanical Structure:



Note: All units in inches.

Absolute Maximum Ratings

DC Voltage	+13V
RF Input Power	0 dBm
Storage Temperature	-55~+125°C
Operating Temperature	-40~+75°C