

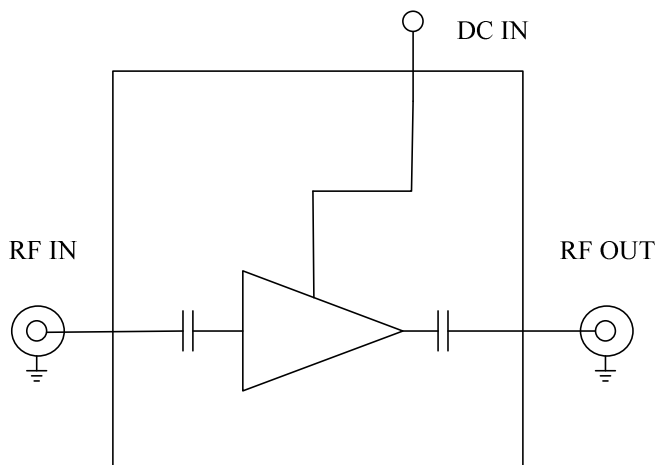
**Features:**

- Multi-Octave bandwidth, specification from 100~12000MHz
- Low noise figure, high gain with good gain flatness
- Low VSWR, unconditional stable
- Small size, low cost
- SMA female connector I/O
- Single DC power supply
- Operating temperature -40~+75°C, storage temperature -55~+125°C

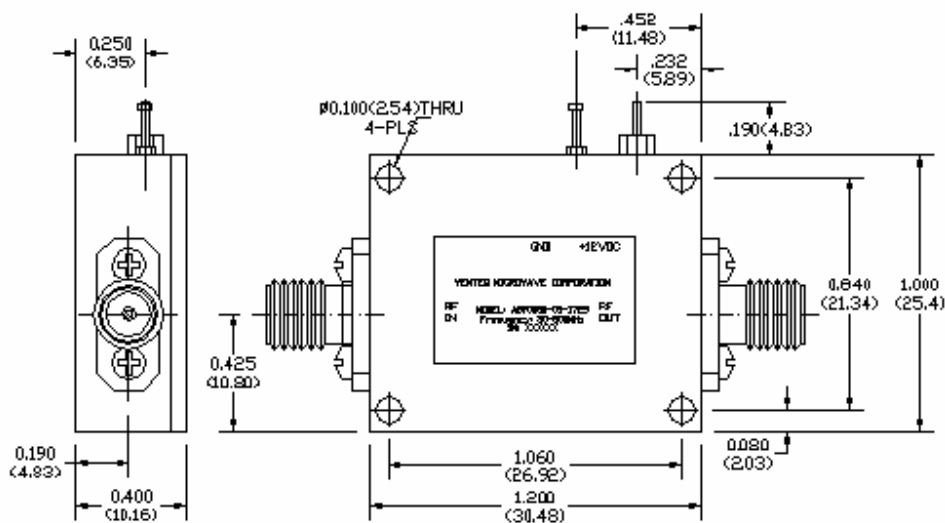
**Electrical Specifications**

Parameters	Minimum	Typical	Maximum
Frequency Range	100 MHz		12000MHz
P-1dB Compression Point	+24 dBm	+25dBm	
Psat at Output	+27 dBm	+28dBm	
Output IP3	+28 dBm	+33 dBm	
Nominal SS Gain @25°C	16.0 dB	18.0dB	20.0 dB
Gain flatness		+/-1.0 dB	+/-1.5 dB
Gain Variation		+/-1.0 dB	
Noise Figure		3.0 dB	5.0 dB
Input VSWR		1.6:1	1.8:1
Output VSWR		1.8:1	2.0:1
Reverse Isolation	30 dB	40dB	
Spurious			-60 dBc
Operating Temperature	-40°C		+75°C
Survival Temperature	-55°C		+125°C
DC Voltage	+11V	+12 V	+13 V
DC Supply Current	250 mA	300 mA	350 mA
In/Out connectors	SMA female		
Size	1.2"x1.0"x0.4"		

Functional Diagram



Mechanical Structure:



Note: All units in inches (mm).

Absolute Maximum Ratings

DC Voltage	+13.5V
RF Input Power	+17dBm
Storage Temperature	-55~+125°C
Operating Temperature	-40~+75°C