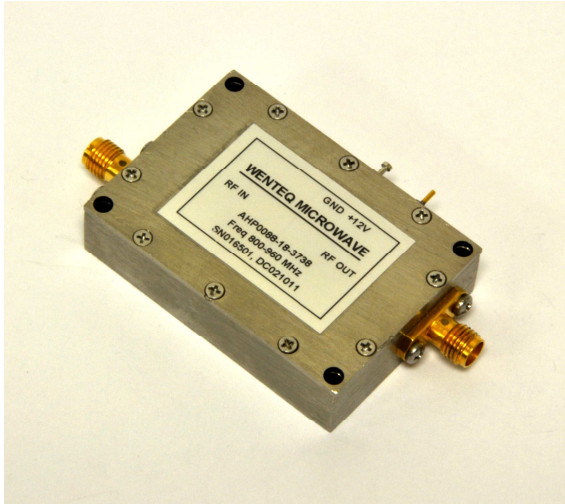


Features:

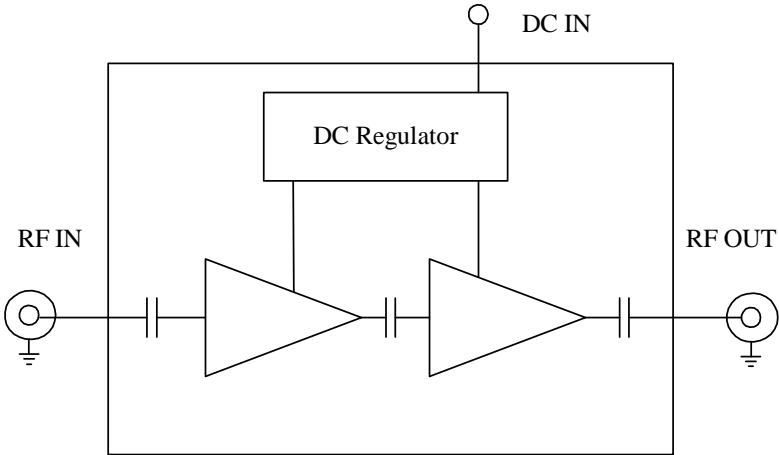
- 6 Watt typical P-1dB output Power at 400~500MHz
- Low noise figure, high gain with good gain flatness
- Low VSWR, unconditional stable
- SMA female connector I/O
- Single DC power supply, Integrated internal voltage regulator
- Operating temperature -40~+65°C, storage temperature -55~+125°C



General Description

AHP0045-22-3438 is a two stage balanced GaAs MESFET linear power amplifier module operating in the frequency of 400MHz to 500 MHz. The amplifier provides 34dB of small signal gain, +38dBm of output power at 1dB gain compression, excellent gain flatness and good VSWR at both input and output. The amplifier requires only a positive DC power supply, its built-in DC voltage regulator and internal sequencing circuitry makes the application more robust.

Functional Diagram



Electrical Specifications

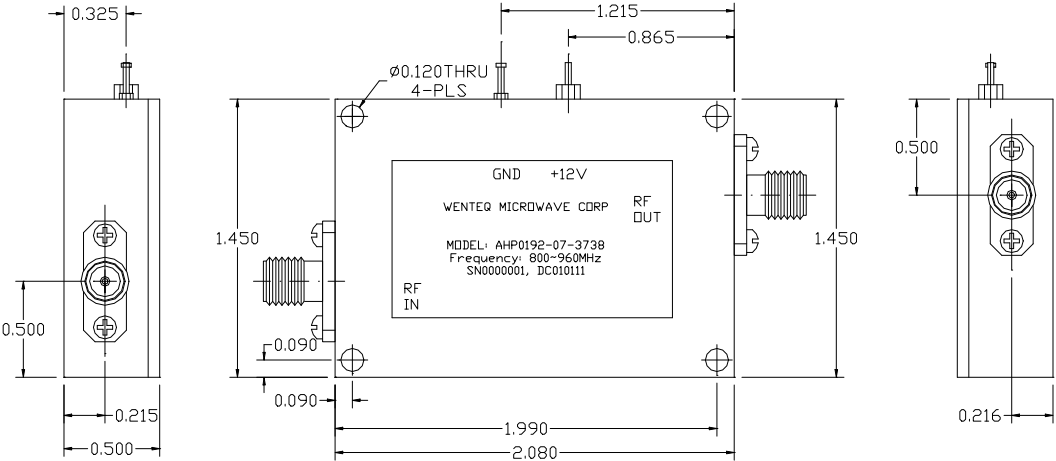
Parameters	Specifications		
	Minimum	Typical	Maximum
Frequency Range	400 MHz		500MHz
P-1dB Compression Point	+37.0 dBm	+38.0 dBm	
Output IP3	+45.0 dBm	+50.0 dBm	
Nominal SS Gain @25°C	32.0 dB	34.0 dB	36.0 dB
Gain flatness over frequency		+/-0.75 dB	+/-1.0 dB
Gain Variation over temperature		+/-1.5 dB	+/-2.0 dB
Noise Figure		3.0 dB	4.0 dB
Input VSWR		1.35:1	1.6:1
Output VSWR		1.3:1	1.5:1
Reverse Isolation	45 dB	55dB	
Spurious			-60 dBc
Operating Temperature	-40°C		+65°C
Survival Temperature	-55°C		+125°C
DC Voltage	+11.5V	+12 V	+13.0 V
DC Supply Current		1800 mA	2100 mA
In/Out connectors	SMA female		
Outline Dimensions (not including SMA and feed pin)	2.08"x1.45"x0.50"		

Absolute Maximum Ratings

DC Voltage	+13V
RF Input Power	+15dBm
Maximum Load VSWR	3:1
Storage Temperature	-55~+125°C
Operating Temperature	-45~+65°C

Note: External heat sink required for operation

Mechanical Structure:



Note: All units in inches.