

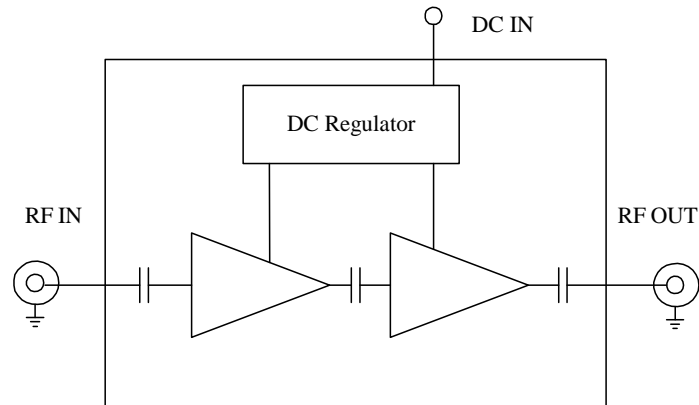
Features:

- 3Watt output P-1dB power over 2000~2800MHz
- high gain with good gain flatness
- Low VSWR, unconditional stable
- Small size, low cost
- SMA female connector I/O
- Single DC power supply
- Operating temperature -30~+65°C, storage temperature -40~+125°C

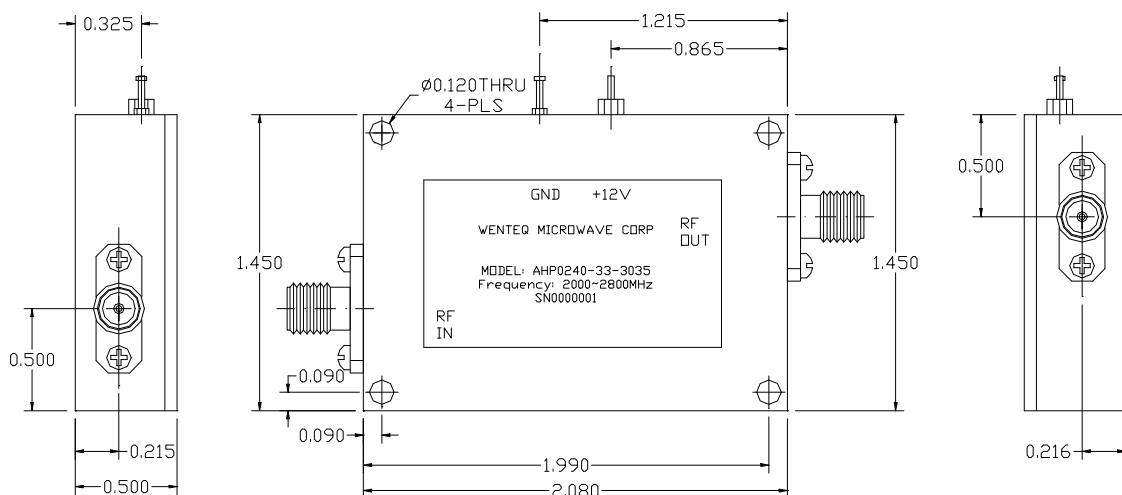
Electrical Specifications

Parameters	Minimum	Typical	Maximum
Frequency Range	2000 MHz		2800MHz
P-1dB Compression Point	+34 dBm	+35 dBm	
Output Saturated Power		+36.5 dBm	
Output IP3	+43 dBm	+46 dBm	
Nominal SS Gain @25°C	28 dB	30dB	32 dB
Gain flatness		+/-1.0 dB	+/-1.25 dB
Gain Variation		+/-1.0 dB	
Noise Figure		5.0 dB	6.0 dB
Input VSWR		1.5:1	1.8:1
Output VSWR		1.7:1	2.0:1
Reverse Isolation	40 dB	45dB	
Spurious			-60 dBc
Operating Temperature	-30°C		+65°C
Survival Temperature	-40°C		+125°C
DC Voltage	+11.5V	+12 V	+12.5 V
DC Supply Current	500 mA	1000 mA	1300 mA
In/Out connectors	SMA female		
Size	2.08"x1.25"x0.5"		

Functional Diagram



Mechanical Structure:



Note: All units in inches (mm).

Absolute Maximum Ratings

DC Voltage	+13V
RF Input Power without damage	+20dBm
Storage Temperature	-40~+125°C
Operating Temperature	-30~+65°C