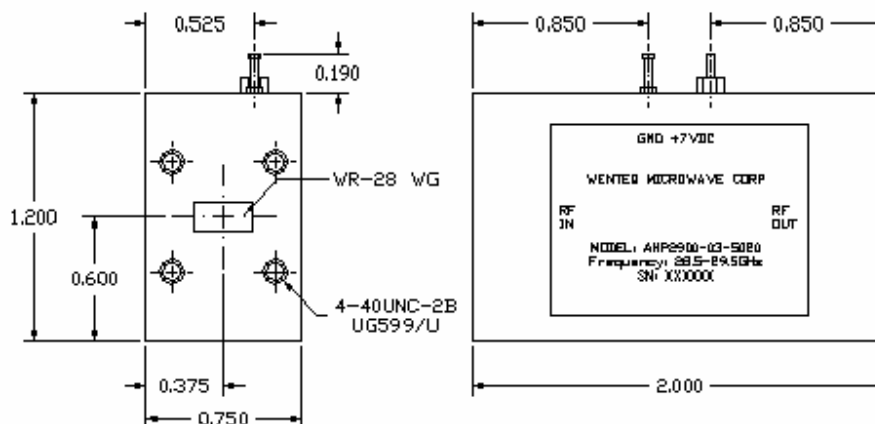


Features:

- 32dB gain at 34.5~35.5GHz, 25dBm minimum output power at P1dB
- Low VSWR, unconditional stable
- Small size, low cost
- WR-28 waveguide input and output port, UG599/U flanges
- Built-in DC-DC inverters and sequential circuits, only single DC power supply is required
- Operating temperature -40~+75°C, storage temperature -45~+125°C

Electrical Specifications

Parameters	Minimum	Typical	Maximum
Frequency Range	34.5 GHz		36.5 GHz
Small Signal Gain @25°C	29 dB	32dB	35 dB
P-1dB Compression Point	+25.0dBm	+25.5 dBm	
Output IP3		+35 dBm	
Gain flatness		+/-0.75 dB	+/-1.0 dB
Gain Variation		+/-2.0 dB	
Noise Figure		3.5 dB	5.0 dB
Input VSWR		1.8:1	2.0:1
Output VSWR		1.8:1	2.0:1
Reverse Isolation		55 dB	
Non-Harmonic Spurious			-60 dBc
Operating Temperature	-40°C		+75°C
Survival Temperature	-55°C		+125°C
DC Voltage	+5.5V	+6V	+6.5 V
DC Supply Current	450 mA	500 mA	550 mA
In/Out connectors	WR-28 WG, UG599/U Flanges		
Size	2.0"x0.1.2"x0.75"		

Mechanical Structure:

Note: All units in inches.