

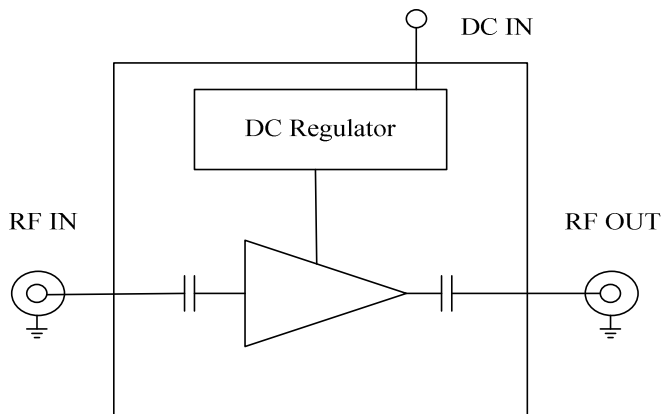
Features:

- Medium power amplifier over 37.0 to 42.0GHz
- Low VSWR, unconditional stable
- Small size, low cost
- 2.4mm-female connector I/O
- Single DC power supply required, built-in voltage regulator
- Operating temperature -40~+75°C, storage temperature -55~+85°C

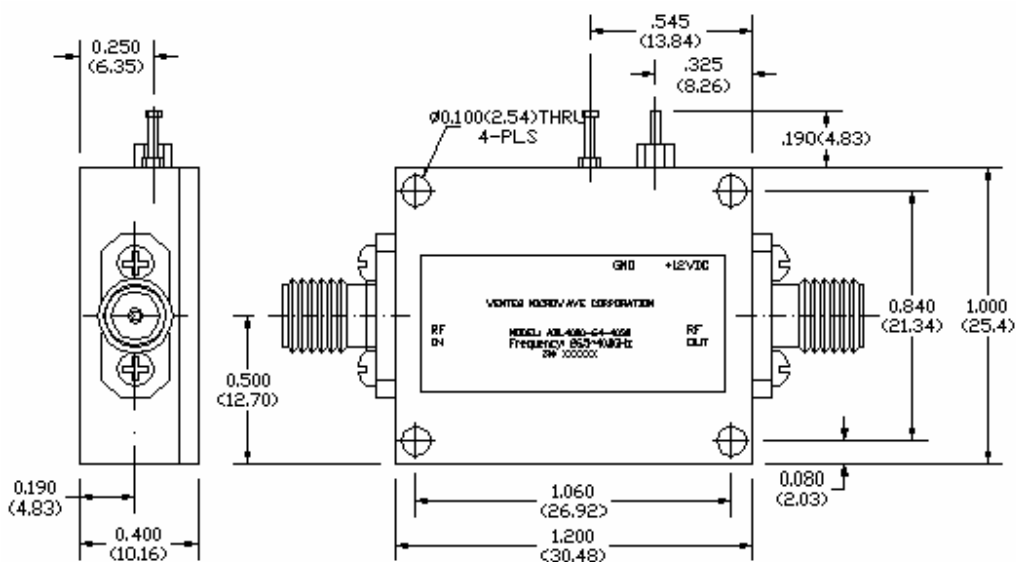
Electrical Specifications

| Parameters | Specifications | | |
|--------------------------|----------------|-----------|-----------|
| | Minimum | Typical | Maximum |
| Frequency Range | 37.0 GHz | | 42.0GHz |
| P-1dB Compression Point | +18 dBm | +20dBm | |
| Psat at Output | +21 dBm | | |
| Output IP3 | +28 dBm | +30 dBm | |
| Nominal SS Gain @25°C | 20.0 dB | 22.0dB | 25.0 dB |
| Gain flatness | | +/-1.0 dB | +/-1.5 dB |
| Gain Variation over temp | | +/-2.0 dB | |
| Input VSWR | | 2.0:1 | 2.5:1 |
| Output VSWR | | 2.0:1 | 2.5:1 |
| Reverse Isolation | 40 dB | 45dB | |
| Spurious | | | -60 dBc |
| Operating Temperature | -40°C | | +75°C |
| Survival Temperature | -55°C | | +125°C |
| DC Voltage | | +10 V | |
| DC Supply Current | 150 mA | 200 mA | 300 mA |
| In/Out connectors | 2.4mm female | | |
| Size | 1.2"x1.0"x0.4" | | |

Functional Diagram



Mechanical Structure:



Note: All units in inches (mm).

Absolute Maximum Ratings

| | |
|-----------------------|------------|
| DC Voltage | +13.5V |
| RF Input Power | +17dBm |
| Storage Temperature | -55~+125°C |
| Operating Temperature | -40~+75°C |