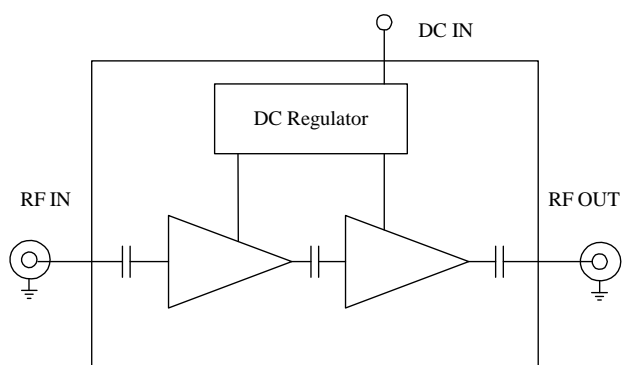


Features:

- Low noise figure, high gain, low VSWR, unconditional stable
- Small size, low cost
- SMA female connector I/O
- Single DC power supply, internal voltage regulator, operating voltage from +7~+15V
- Operating temperature -40~+85°C, storage temperature -55~+125°C

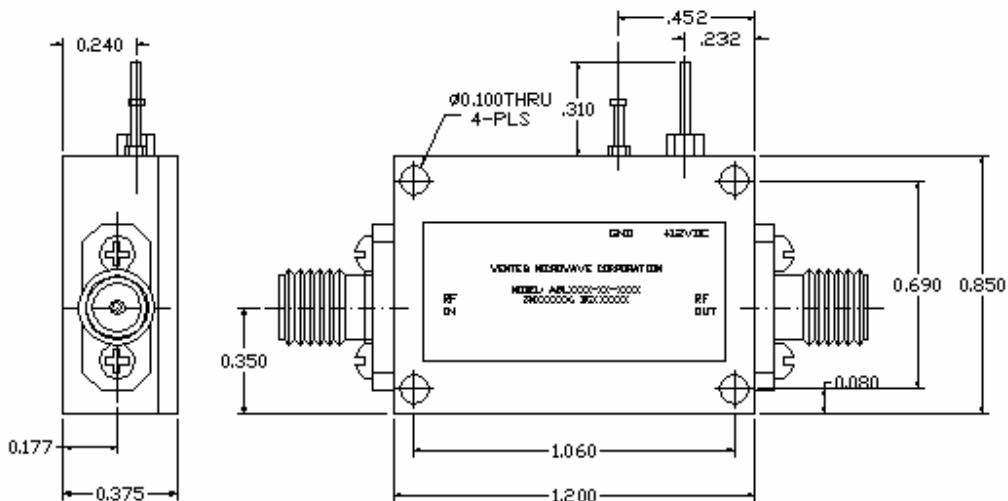
Functional Diagram



Electrical Specifications

PARAMETERS	MINIMUM	TYPICAL	MAXIMUM
Frequency Range, MHz	800 MHz		1000 MHz
Noise Figure		0.6 dB	0.75 dB
P-1dB Compression Point	14 dBm	16.0 dBm	
Nominal Gain@Room Temp	32 dB	34.0 dB	36 dB
Gain flatness		+/-0.5 dB	+/-1.0 dB
Gain Variation over Temp		+/-1.0dB	
Input VSWR		1.25:1	1.35:1
Output VSWR		1.40:1	1.60:1
Reverse Isolation		45 dB	
Spurious			-60 dBc
Operating Temperature	-40°C		+85°C
Survival Temperature	-55°C		+125°C
DC Power Supply Voltage	+7 V		+15 V
DC Power Supply Current	50	60 mA	70
In/Out connectors		SMA female	
Size		1.2"x0.85"x0.375	

Mechanical Structure:



Note: All units in inches.

Absolute Maximum Ratings

DC Voltage	+15V
RF Input Power	+10dBm
Storage Temperature	-55~+125°C
Operating Temperature	-40~+85°C