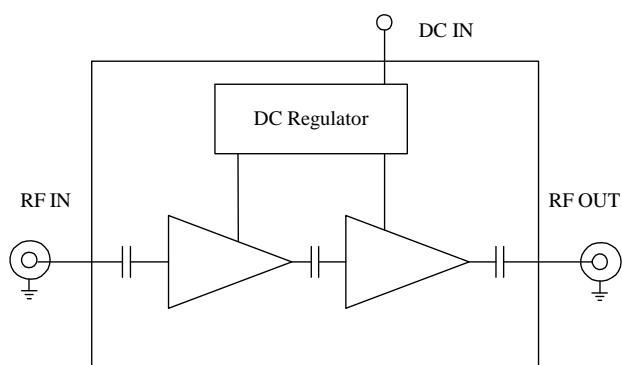


Features:

- Low noise figure, high gain, low VSWR, unconditional stable
- Small size, low cost
- SMA female connector I/O
- Single DC power supply, internal voltage regulator, operating voltage from +6~+15V
- Operating temperature -40~+85°C, storage temperature -55~+125°C

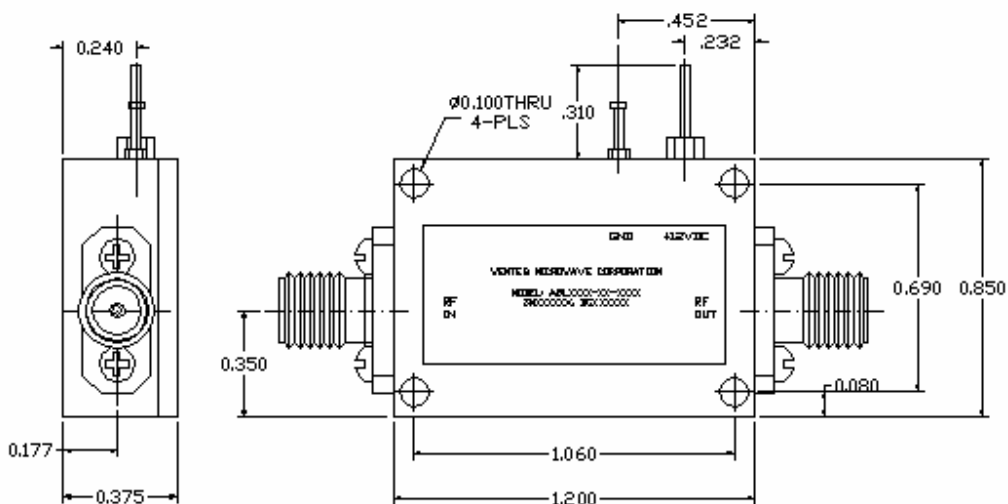
Functional Diagram



Electrical Specifications

PARAMETERS	Specifications		
	Minimum	Typical	Maximum
Frequency Range, MHz	950 MHz		1450 MHz
Noise Figure		0.6 dB	0.7 dB
P-1dB Compression Point	16 dBm	18.0 dBm	
Nominal Gain@Room Temp	30 dB	33.0 dB	35 dB
Gain flatness		+/-0.5 dB	+/-0.75 dB
Gain Variation over Temp		+/-1.0dB	
Input VSWR		1.3:1	1.5:1
Output VSWR		1.3:1	1.5:1
Reverse Isolation		50 dB	
Spurious			-60 dBc
Operating Temperature	-40°C		+85°C
Survival Temperature	-55°C		+125°C
DC Power Supply Voltage	+6 V	+12 V	+15 V
DC Power Supply Current		100 mA	120 mA
In/Out connectors	SMA female		
Size	1.2"x0.85"x0.375		

Mechanical Structure:



Note: All units in inches.

Absolute Maximum Ratings

DC Voltage	+15V
RF Input Power	+10dBm
Storage Temperature	-55~+125°C
Operating Temperature	-40~+85°C