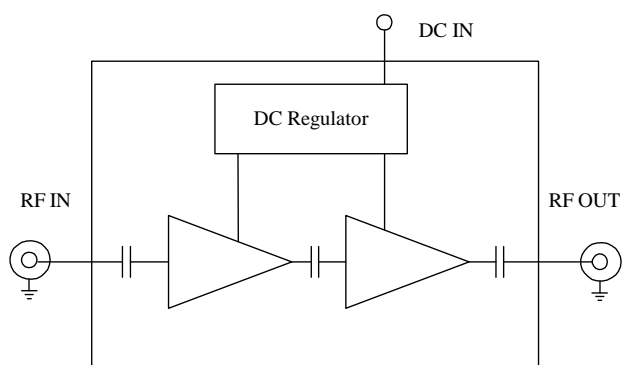


Features:

- Low noise figure, high gain, low VSWR, unconditional stable
- Small size, low cost
- SMA female connector I/O
- Single DC power supply, internal voltage regulator, operating voltage from +6~+15V
- Operating temperature -40~+85°C, storage temperature -55~+125°C

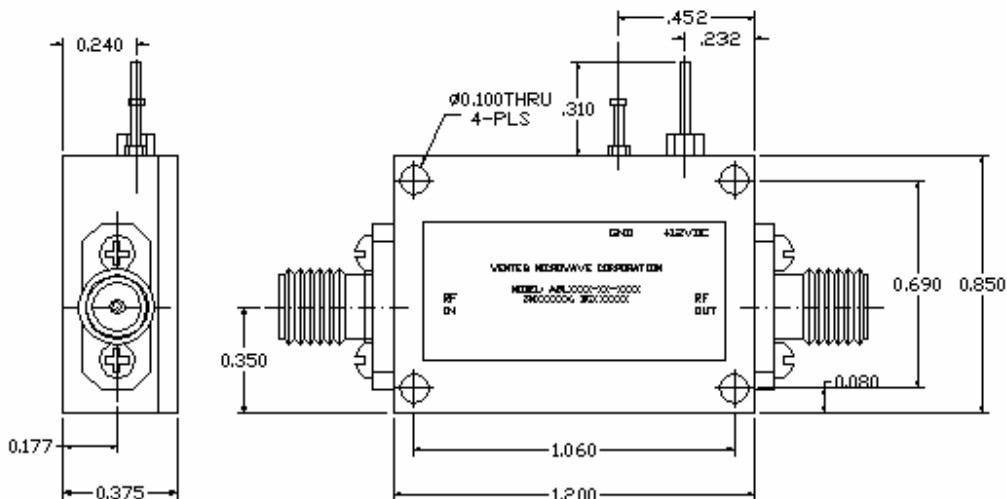
Functional Diagram



Electrical Specifications

PARAMETERS	MINIMUM	TYPICAL	MAXIMUM
Frequency Range, MHz	1200 MHz		1600 MHz
Noise Figure		0.6 dB	0.7 dB
P-1dB Compression Point	15 dBm	16.0 dBm	
Nominal Gain@Room Temp	30 dB	32.0 dB	34 dB
Gain flatness		+/-1.0 dB	+/-1.25 dB
Gain Variation over Temp		+/-1.0dB	
Input VSWR		1.5:1	1.8:1
Output VSWR		1.5:1	1.7:1
Reverse Isolation		40 dB	
Spurious			-60 dBc
Operating Temperature	-40°C		+85°C
Survival Temperature	-55°C		+125°C
DC Power Supply Voltage	+6 V		+15 V
DC Power Supply Current		50 mA	
In/Out connectors		SMA female	
Size		1.2"x0.85"x0.375	

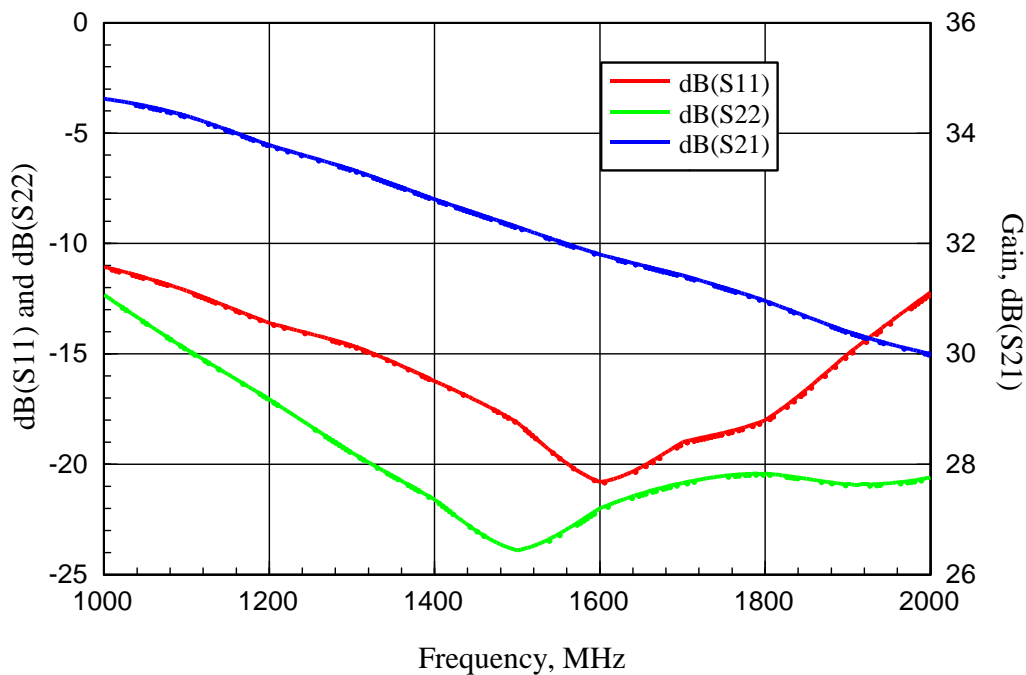
Mechanical Structure:



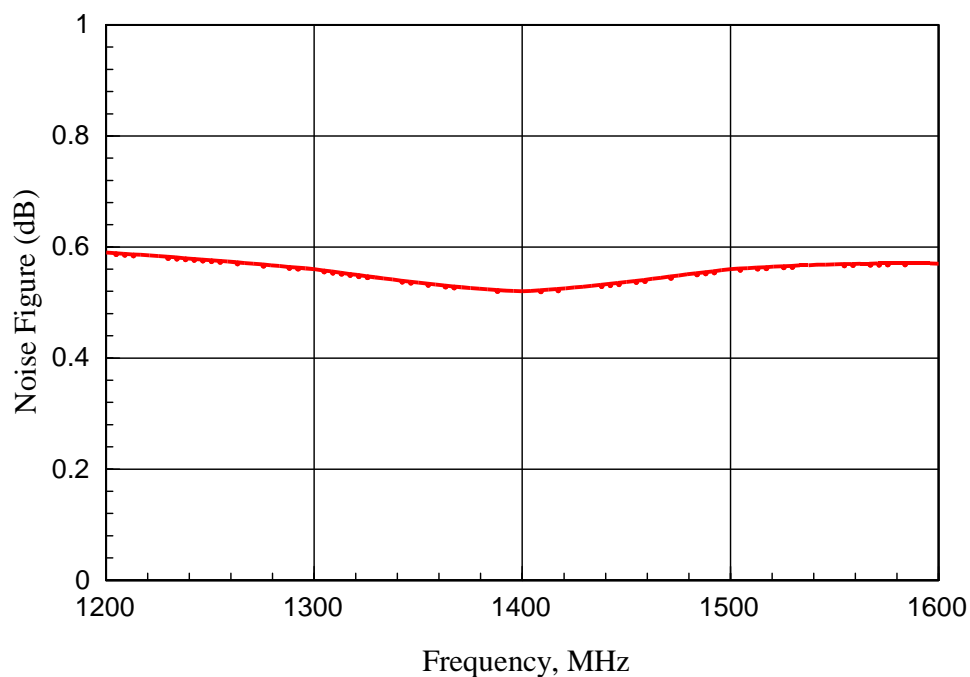
Note: All units in inches.

Typical Test Results:

ALN0140-29-3206 Measured Gain and Return Loss vs Frequency



ALN0140-29-3206 Measured Noise Figure vs Frequency



Absolute Maximum Ratings

DC Voltage	+15V
RF Input Power	+10dBm
Storage Temperature	-55~+125°C
Operating Temperature	-40~+85°C