



LOW NOISE MICROWAVE AMPLIFIER ALN0560-11-2709

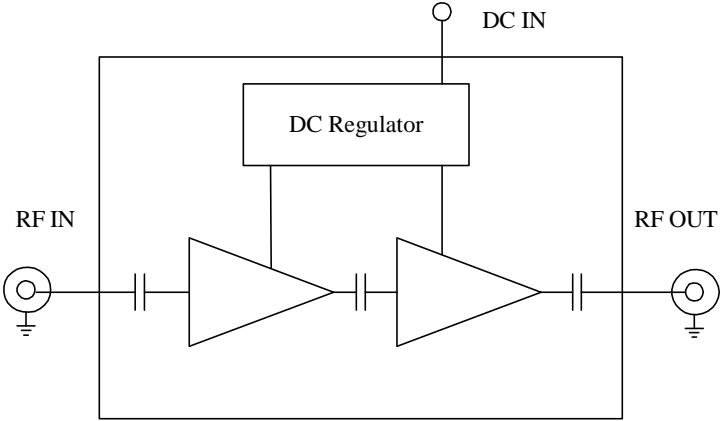
Features:

- High gain, low noise figure
- Low VSWR, unconditional stable
- Small size, low cost
- SMA female connector I/O
- Single DC power supply, internal voltage regulator allowing operating voltage from +8V to +15V range
- Operating temperature -40~+75°C, storage temperature -55~+125°C

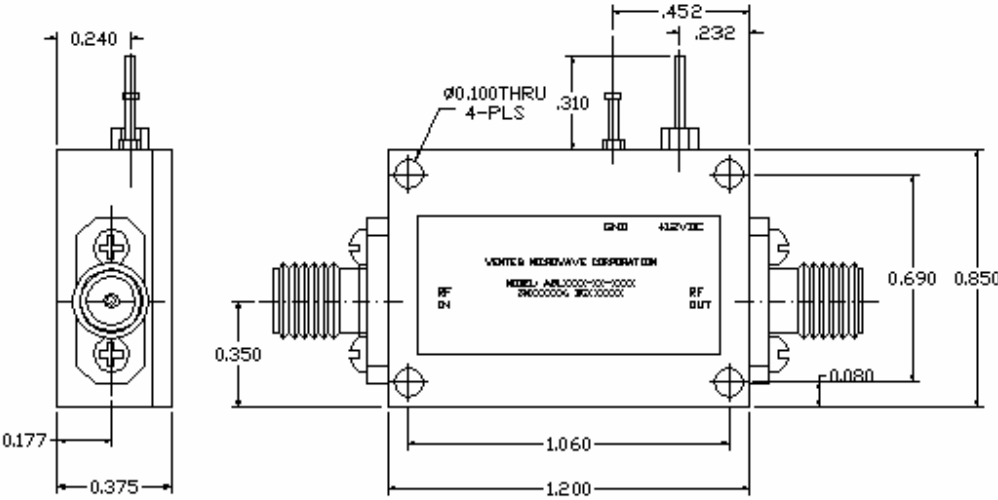
Electrical Specifications

Parameters	Specifications		
	Minimum	Typical	Maximum
Frequency Range	5300 MHz		5900MHz
Noise Figure (from 50MHz)		0.9 dB	1.1 dB
Nominal SS Gain @25°C	25 dB	27dB	29 dB
P-1dB Compression Point	+11.0 dBm	+13.0 dBm	
Gain flatness		+/-0.5 dB	+/-0.75 dB
Gain Variation		+/-1.0 dB	
Input VSWR		1.5:1	1.7:1
Output VSWR		1.5:1	1.7:1
Reverse Isolation	40dB	35dB	
Spurious			-60 dBc
Operating Temperature	-40°C		+75°C
Survival Temperature	-55°C		+125°C
DC Voltage	+8.0V		+15 V
DC Supply Current	40 mA	50 mA	60 mA
RF In/Out connectors	SMA female		
DC Input Connector	Feed-thru PIN		
Size	1.2"x0.85"x0.375		

Functional Diagram



Mechanical Structure:



Note: All units in inches.

Absolute Maximum Ratings

DC Voltage	+15V
RF Input Power	+5 dBm
Storage Temperature	-55~+125°C
Operating Temperature	-40~+75°C