

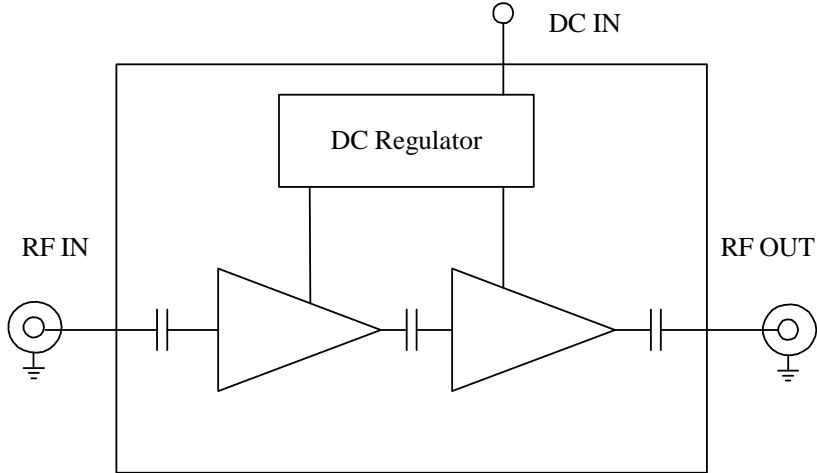
**Features:**

- Broad band operation from 20.0 GHz to 26.0 GHz
- Low VSWR, unconditional stable
- Small size, low cost
- SMA female connector I/O.
- Single DC power supply, internal voltage regulator, operating voltage from +9~+12V
- Operating temperature -40~+85°C, storage temperature -55~+125°C

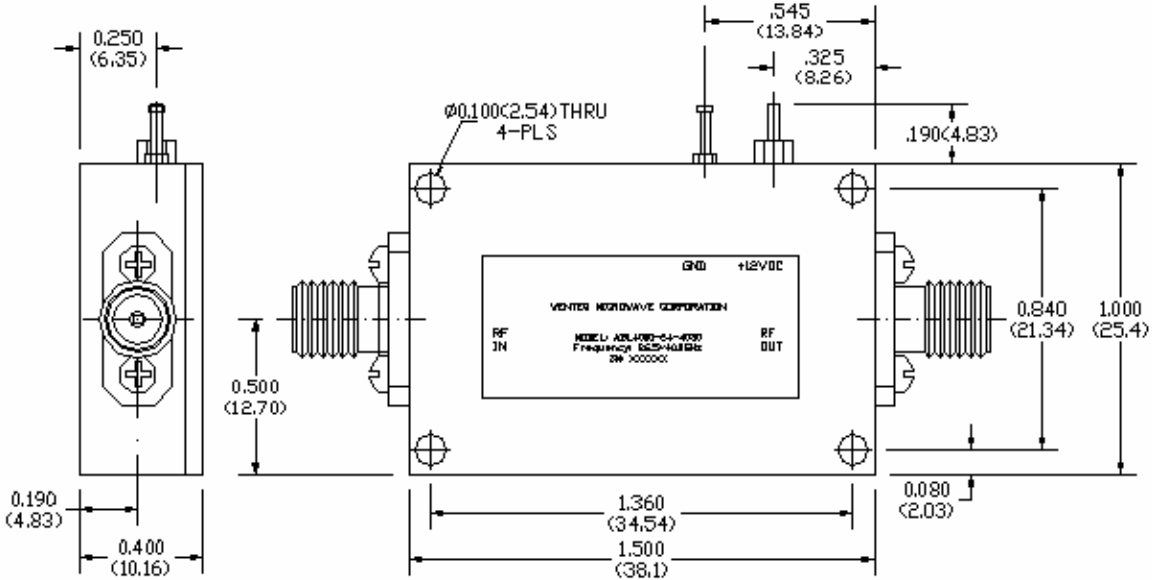
**Electrical Specifications**

Parameters	Units	Specifications		
		Minimum	Typical	Maximum
Frequency Range	GHz	20.0		26.0
Small Signal Gain @25°C	dB	30.0	33.0	36.0
Noise Figure @25°C	dB		2.0	3.0
P-1dB Compression Point	dBm	+10.0	+12.0	
Output IP3	dBm	+18.0	+22.0	
Gain flatness	dB		+/-1.0	+/-1.5
Gain Variation	dB		+/-1.5	
Input VSWR			1.6:1	2.0:1
Output VSWR			1.7:1	2.0:1
Reverse Isolation	dB	45.0	50.0	
Non-Harmonic Spurious	dBc			-60.0
Operating Temperature	°C	-40		+85
Survival Temperature	°C	-55		+125
DC Voltage	V	+10.0		+12.0
DC Supply Current	mA	120 mA	160 mA	190 mA
In/Out connectors		SMA Female		
Size	inches	1.5"x1.0"x0.4"		

**Functional Diagram**



**Mechanical Structure:**



Note: All units in inches.

**Absolute Maximum Ratings**

DC Voltage	+13V
RF Input Power	0 dBm
Storage Temperature	-55~+125°C
Operating Temperature	-40~+75°C