

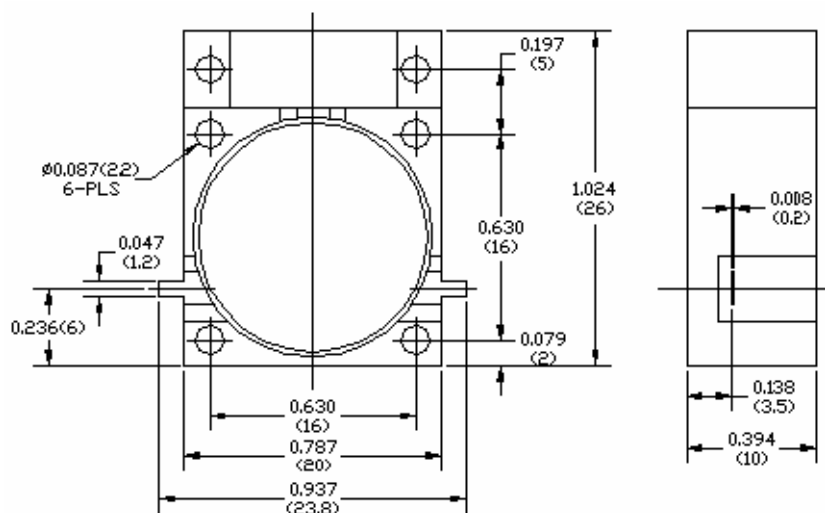
**Key Features:**

- Frequency range: 800~2700MHz, 30-400MHz bandwidth
- Drop-in configuration
- Small size, low cost
- Power handling +30 Watts,
- Operating temperature -30~+60°C
- Customer specify center frequency and bandwidth

**Electrical Specifications**

Part No.	Freq Range MHz	Insertion Loss, dB	Reverse Isolation, dB	VSWR	Forward Power, Watts	Reverse Power Watts	Temp. Range, °C
F1068-0089-15	860-960	0.6 Max	≥ 18	≤ 1.3	≥ 30	≥ 10	-30 ~ +60
F1068-0091-03	900~930	0.5 Max	≥ 22	≤ 1.2	≥ 30	≥ 10	-30 ~ +60
F1068-0136-20	1220-1500	0.5 Max	≥ 20	≤ 1.2	≥ 30	≥ 10	-30 ~ +60
F1068-0190-02	1885-1915	0.4 Max	≥ 23	≤ 1.2	≥ 30	≥ 10	-30 ~ +60
F1068-0180-06	1750-1850	0.5 Max	≥ 20	≤ 1.2	≥ 30	≥ 10	-30 ~ +60
F1068-0235-13	2200-2500	0.5 Max	≥ 20	≤ 1.2	≥ 30	≥ 10	-30 ~ +60
F1068-0255-12	2400-2700	0.5 Max	≥ 20	≤ 1.2	≥ 30	≥ 10	-30 ~ +60

**Mechanical Structure:**



Note: All units in inches (mm).

**Ordering Information:**

