

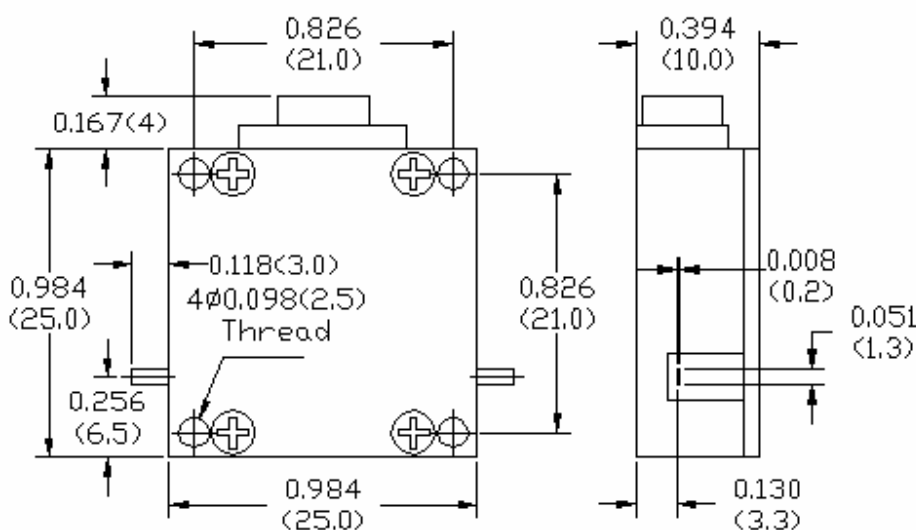
Key Features:

- Frequency range: 800~2500MHz, 30-400MHz bandwidth
- Drop-in configuration
- Small size, low cost
- Power handling +50 Watts forward, 30 Watts reverse
- Customer specify center frequency and bandwidth

Electrical Specifications

Part No.	Freq Range MHz	Insertion Loss, dB	Reverse Isolation, dB	VSWR	Forward Power, Watts	Reverse Power Watts	Temp. Range, °C
F1069-0089-15	860-960	0.6 Max	≥ 18	≤ 1.3	≥ 50	≥ 20	-30 ~ +60
F1069-0091-03	900~930	0.5 Max	≥ 22	≤ 1.2	≥ 50	≥ 20	-30 ~ +60
F1069-0190-02	1885-1915	0.4 Max	≥ 23	≤ 1.2	≥ 50	≥ 20	-30 ~ +60
F1069-0180-06	1750-1850	0.5 Max	≥ 20	≤ 1.2	≥ 50	≥ 20	-30 ~ +60
F1069-0225-04	2200-2300	0.5 Max	≥ 20	≤ 1.2	≥ 50	≥ 20	-30 ~ +60
F1069-0220-18	2000-2400	0.6 Max	≥ 18	≤ 1.25	≥ 10	≥ 5	-45 ~ +85

Mechanical Structure:



Note: All units in inches (mm).

Ordering Information:

