

Key Features:

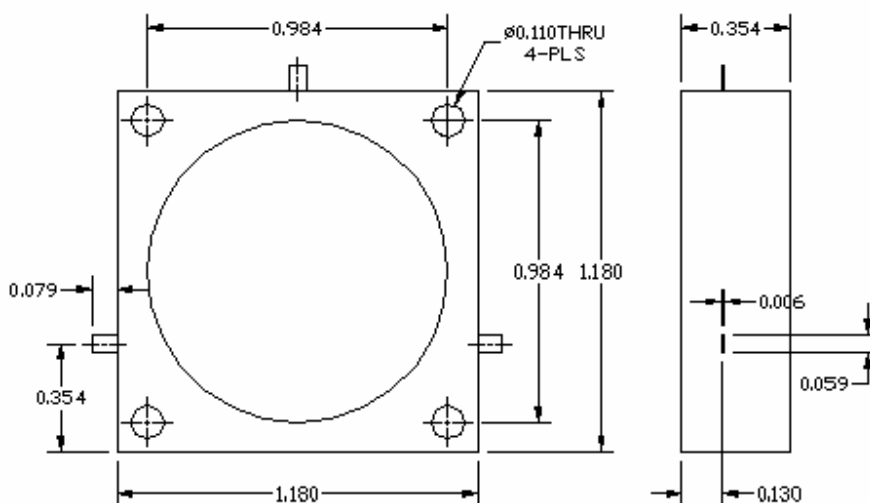
- Frequency range: 600~1200MHz, up to 110 MHz bandwidth
- Drop-in configuration
- Small size, low cost
- Power handling greater than +10 Watts
- Operating temperature -20~+75°C
- Customer specify center frequency and bandwidth



Electrical Specifications

Part No.	Freq Range MHz	Insertion Loss, dB	Reverse Isolation, dB	VSWR	Forward Power, Watts	IMD @1Watt input Power	Temp. Range, °C
F1556-0082-13	762-869	0.7 Max	≥ 18	≤ 1.3	≥ 10	-100 dBc	-20 ~ +75

Mechanical Structure:



Note: All units in inches.

Ordering Information:

