

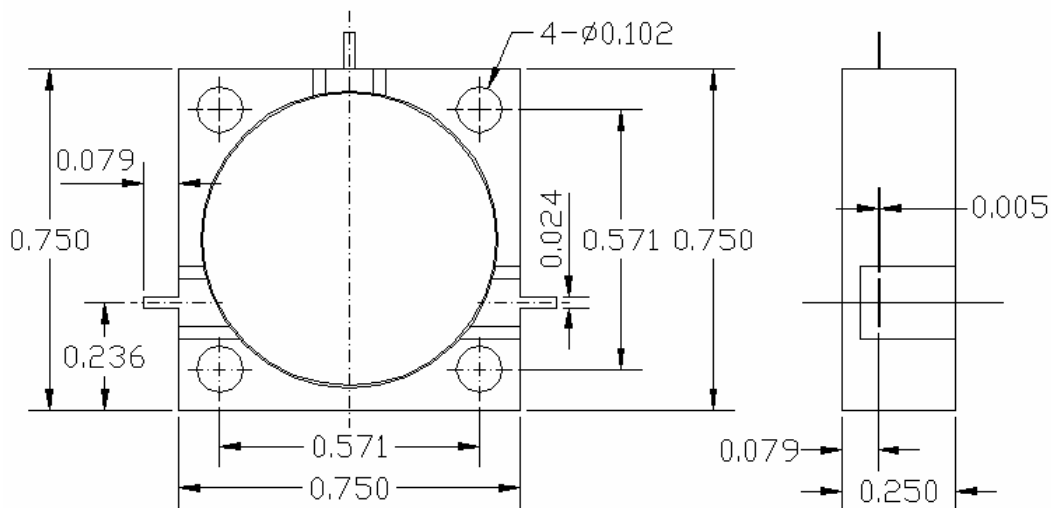
Key Features:

- Frequency range: 2400~3500MHz;
- Drop-in configuration;
- Small size, low cost;
- Power handling up to 50Watts CW;
- Operating temperature -40~+60°C.

Electrical Specifications

Part Number	Frequency, MHz	Insertion Loss, dB	Reverse Isolation, dB	VSWR	Power, Watts CW	Temperature °C
F1608-0245-04	2400~2500	0.5Max	20Min	1.2Max	30	-40~+60
F1608-0285-18	2600~3100	0.5Max	20Min	1.2Max	30	-40~+60
F1608-0330-12	3100~3500	0.5Max	20Min	1.2Max	50	-40~+60

Mechanical Structure:



Note: All units in inches.

Ordering Information:

