

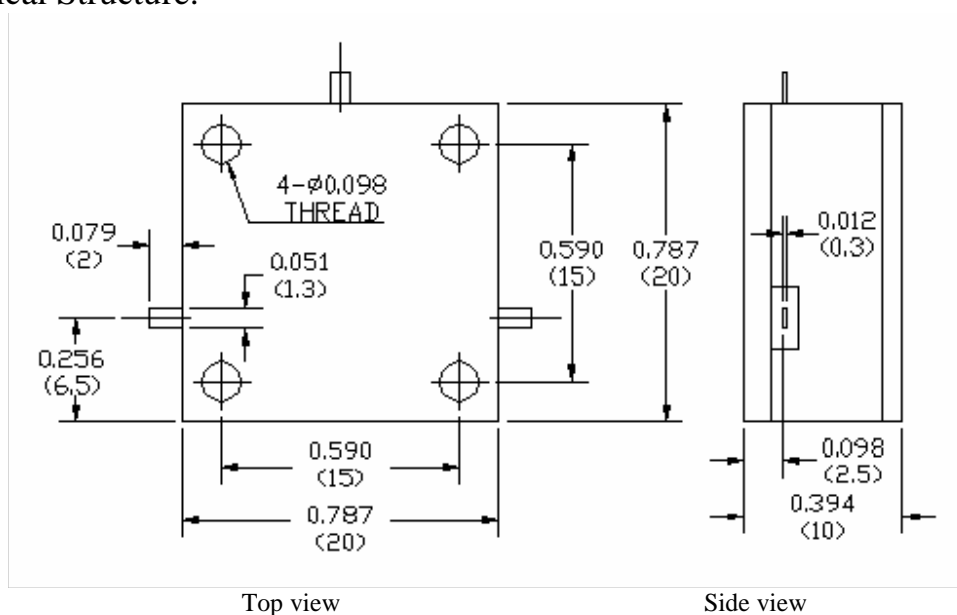
**Key Features:**

- Frequency range: 5.0~8.0GHz, up to 1GHz bandwidth
- Drop-in configuration
- Small size, low cost
- Power handling +20 Watts
- Customer specify center frequency and bandwidth

**Electrical Specifications**

Part No.	Freq Range GHz	Insertion Loss, dB	Reverse Isolation, dB	VSWR	Forward Power, Watts	Temp. Range, °C
F1680-0500-02	4.95~5.05	0.5 Max	≥ 20	≤ 1.2	≥ 20	-35 ~ +70
F1680-0615-11	5.80~6.50	0.5 Max	≥ 20	≤ 1.2	≥ 20	-30 ~ +60
F1680-0675-13	6.30~7.20	0.5 Max	≥ 22	≤ 1.2	≥ 20	-30 ~ +60

**Mechanical Structure:**



Note: All units in inches (mm).

**Ordering Information:**

