

Key Features:

- Frequency range: 400~960MHz
- SMA or N type connectors, customer to specify
- Power handling >50Watts forward, 20 Watts reverse
- Operating temperature -40~+70°C

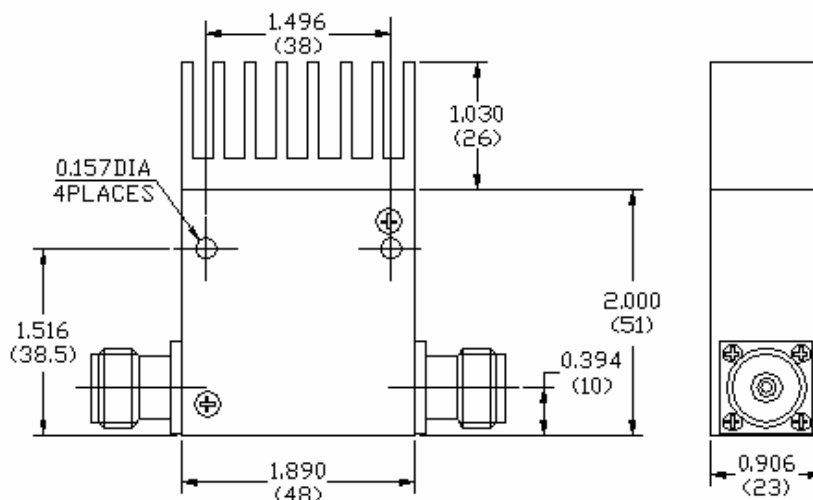


Electrical Specifications

Part No.	Freq Range MHz	Insertion Loss, dB	Reverse Isolation, dB	VSWR	Forward Power, Watts	Reverse Power, Watts	Temp. Range, °C
F2042-0045-22	400-500	0.5 Max	≥20	≤1.2	≥50	≥ 20	-30 ~ +60
F2042-0046-25	400~512	0.5 Max	≥20	≤1.2	≥50	≥ 2*	-30 ~ +60
F2042-0052-21	460-570	0.5 Max	≥20	≤1.2	≥50	≥ 20	-30 ~ +60
F2042-0055-22	490-610	0.5 Max	≥20	≤1.2	≥50	≥ 20	-30 ~ +60
F2042-0062-06	600~640	0.5 Max	≥ 20	≤1.2	≥ 50	≥ 20	-30 ~ +60
F2042-0070-29	600~800	0.5 Max	≥ 20	≤1.2	≥ 50	≥ 20	-30 ~ +60
F2042-0093-06	900-960	0.35 Max	≥ 23	≤1.2	≥ 50	≥ 20	-40 ~ +70

Note: *External termination is replaced by internal termination

Mechanical Structure:



Note: All units in inches (mm).

Ordering Information:

