

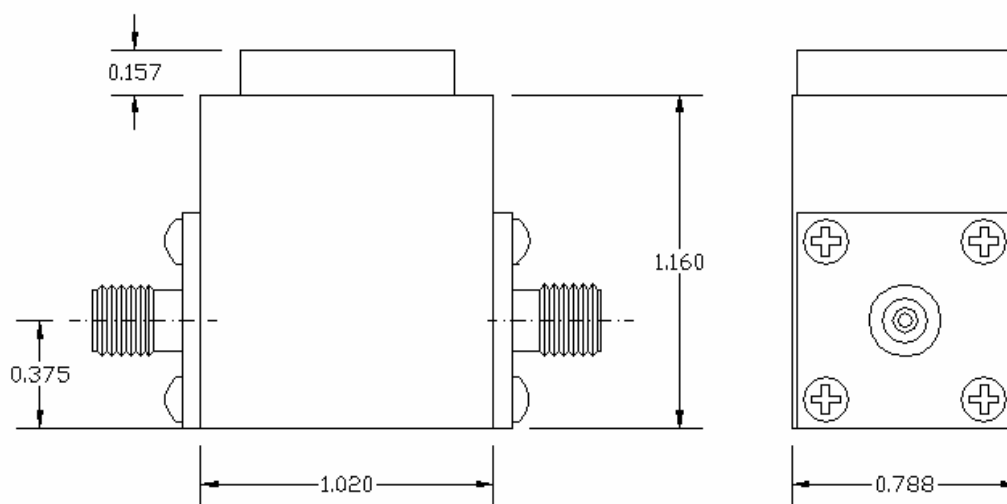
**Key Features:**

- Frequency range: 2500~4000MHz
- SMA or N female or male connectors
- Small size, low cost
- Power handling up to +25Watts forward, reverse power 10 Watt CW
- Operating temperature -30~+60°C
- Customer specify center frequency and bandwidth

**Electrical Specifications**

Part No.	Freq Range MHz	Insertion Loss, dB Typ/Max	Reverse Isolation, dB	VSWR	Forward Power, Watts	Reverse Power, Watts	Temp. Range, °C
F2102-0285-18	2600-3100	0.3/0.5	≥ 19	≤1.25	25	10	-30 ~ +60
F2102-0290-07	2800-3000	0.2/0.4	≥ 20	≤1.2	25	10	-30 ~ +60
F2102-0310-06	3000~3200	0.2/0.4	≥ 20	≤1.2	25	10	-30 ~ +60
F2102-0330-12	3100~3500	0.3/0.5	≥ 20	≤1.2	25	10	-30 ~ +60
F2102-0360-06	3500~3700	0.2/0.4	≥ 20	≤1.2	25	10	-30 ~ +60
F2102-0370-01	3680~3720	0.3 Max	≥ 23	≤1.15	25	10	-30 ~ +60

**Mechanical Structure:**



**Ordering Information:**

Note: All units are in inches.

