

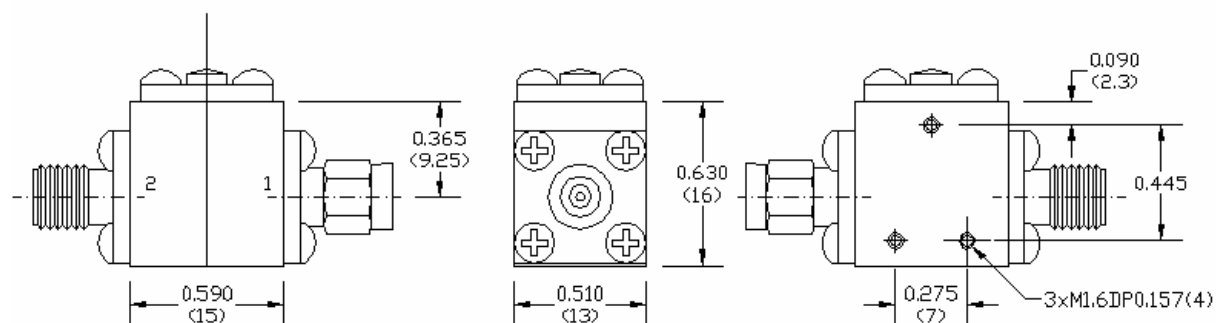
**Key Features:**

- Frequency range: 8.0~12GHz, bandwidth up to 12%
- SMA Connectors, customer to specify male (M) or female (F) at input and output
- Small size, low cost
- Power handling +2 Watts forward and +1Watt reverse
- Operating temperature -45~+75°C
- Customer specify center frequency and bandwidth

**Electrical Specifications**

Part No.	Freq Range MHz	Insertion Loss, dB	Reverse Isolation, dB	VSWR	Forward Power, Watts	Reverse Power Watts	Temp. Range, °C
F2180-0825-07	7.95-8.55	0.3 Max	≥ 22	≤ 1.2	≥ 2	≥ 1	-45 ~ +75
F2180-0830-07	8.0-8.6	0.3 Max	≥ 22	≤ 1.2	≥ 2	≥ 1	-45 ~ +75

**Mechanical Structure:**



Note: All units in inches(mm).

**Ordering Information:**

