

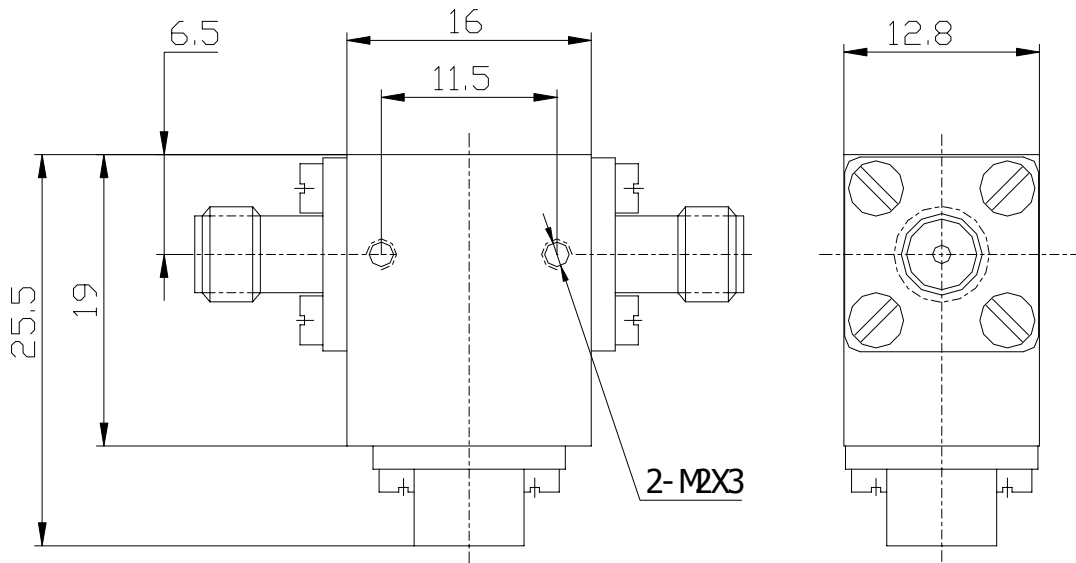
Key Features:

- Wide frequency range: 8.0-18.0GHz partial or full band
- SMA connectorized configuration
- Small size, low cost
- Power handling +5 Watts forward
- Operating temperature -20~+65°C

Electrical Specifications

Part Number	Freq Range GHz	Insertion Loss, dB	Reverse Isolation, dB	VSWR	Forward Power, Watts	Reverse Power Watts	Temp. Range, °C
F2220-1300-77	8.0-18.0	1.0 Max	≥ 16	≤ 1.56	≥ 5	≥ 2	-20 ~ +65
F2220-1500-40	12.0-18.0	0.6 Max	≥ 19	≤ 1.35	≥ 5	≥ 2	-20 ~ +65

Mechanical Structure:



Note: All units in mm

Ordering Information:

