

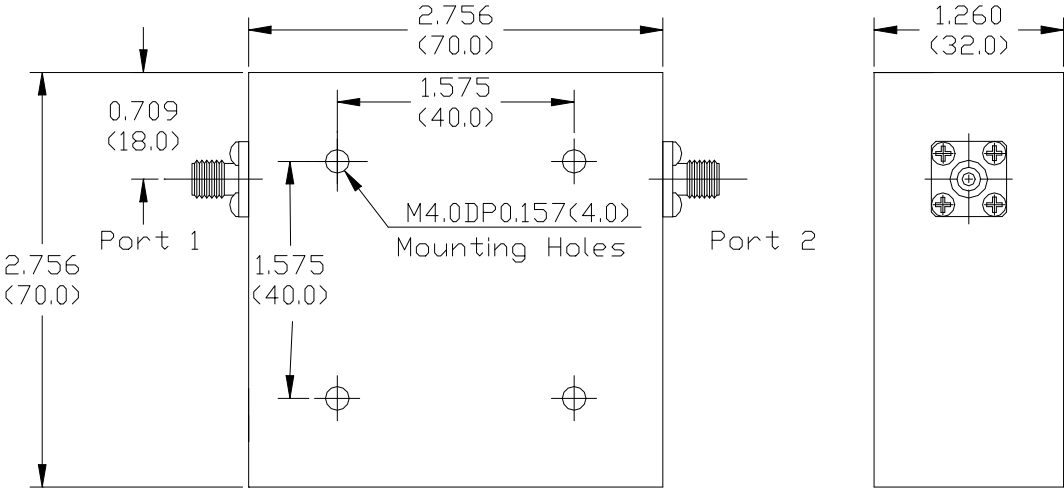
Key Features:

- Center frequency range: 60~270MHz, 5% to 25% bandwidth
- SMA female connectors(default) or N-type female connectors
- Small size, low cost
- Power handling +50 Watts forward
- Operating temperature -10~+60°C
- Customer specify center frequency and bandwidth

Electrical Specifications

Part No.	Frequency MHz	Insertion Loss, dB	Reverse Iso., dB	VSWR	FWd Power, Watts	Reverse Power, Watts	Temp. Range, °C
F2316-0060-10	57-63	1.0 Max	≥ 18	≤ 1.3	≥ 50	≥ 10	-10 ~ +60
F2316-0070-11	66-74	0.8 Max	≥ 18	≤ 1.3	≥ 50	≥ 10	-10 ~ +60
F2316-0080-10	76-84	0.8 Max	≥ 18	≤ 1.3	≥ 50	≥ 10	-10 ~ +60
F2316-0088-09	84-92	0.8 Max	≥ 18	≤ 1.3	≥ 50	≥ 10	-10 ~ +60
F2316-0098-20	88-108	1.0 Max	≥ 18	≤ 1.3	≥ 50	≥ 10	-10 ~ +60
F2316-0100-20	90-110	1.0 Max	≥ 18	≤ 1.3	≥ 50	≥ 10	-10 ~ +60
F2316-0108-07	104-112	0.6 Max	≥ 20	≤ 1.2	≥ 50	≥ 10	-10 ~ +60
F2316-0110-04	108-112	0.6 Max	≥ 20	≤ 1.2	≥ 50	≥ 20	-10 ~ +60
F2316-0155-25	135~175	0.6 Max	≥ 18	≤ 1.25	≥ 50	≥ 10	-10 ~ +60
F2316-0158-22	140~175	0.6 Max	≥ 20	≤ 1.2	≥ 50	≥ 10	-10 ~ +60
F2316-0174-05	170-178	0.6 Max	≥ 20	≤ 1.2	≥ 50	≥ 10	-10 ~ +60
F2316-0200-15	185~215	0.6 Max	≥ 20	≤ 1.2	≥ 50	≥ 10	-10 ~ +60
F2316-0250-16	230~270	0.6 Max	≥ 20	≤ 1.2	≥ 50	≥ 10	-10 ~ +60

Mechanical Structure:



Note: All units in inches (mm).

Ordering Information:

F2316-XXXX-XX
 ↓ ↓
 Bandwidth, XX%,
 Frequency X.XXX GHz,