

**Key Features:**

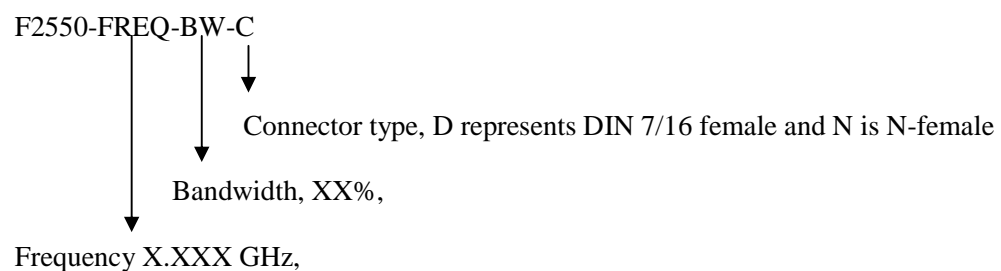
- Center frequency range: 650~1300MHz, up to 80MHz bandwidth
- 50 ohm DIN 7/16 female or Type N female connector In/out
- Power handling +500 Watts forward
- Operating temperature -10~+65°C
- Customer specify center frequency and bandwidth
- Natural air cooling

**Electrical Specifications**

Part No.	Freq Range MHz	Insertion Loss, dB	Reverse Isolation, dB	VSWR	Forward Power, Watts	Temp. Range, °C
F2550-0700-09	670~730	0.5 Max	≥ 20	≤ 1.2	≥ 500	-10 ~ +65
F2550-0770-10	730~810	0.5 Max	≥ 20	≤ 1.2	≥ 500	-10 ~ +65
F2550-0833-06	806~860	0.5 Max	≥ 20	≤ 1.2	≥ 500	-10 ~ +65
F2550-0855-08	820~890	0.5 Max	≥ 20	≤ 1.2	≥ 500	-10 ~ +65
F2550-0925-06	895~955	0.5 Max	≥ 20	≤ 1.2	≥ 500	-10 ~ +65
F2550-1090-05	1065~1115	0.4 Max	≥ 20	≤ 1.2	≥ 500	-10 ~ +65
F2550-1300-03	1280~1320	0.3 Max	≥ 20	≤ 1.2	≥ 500	-10 ~ +65

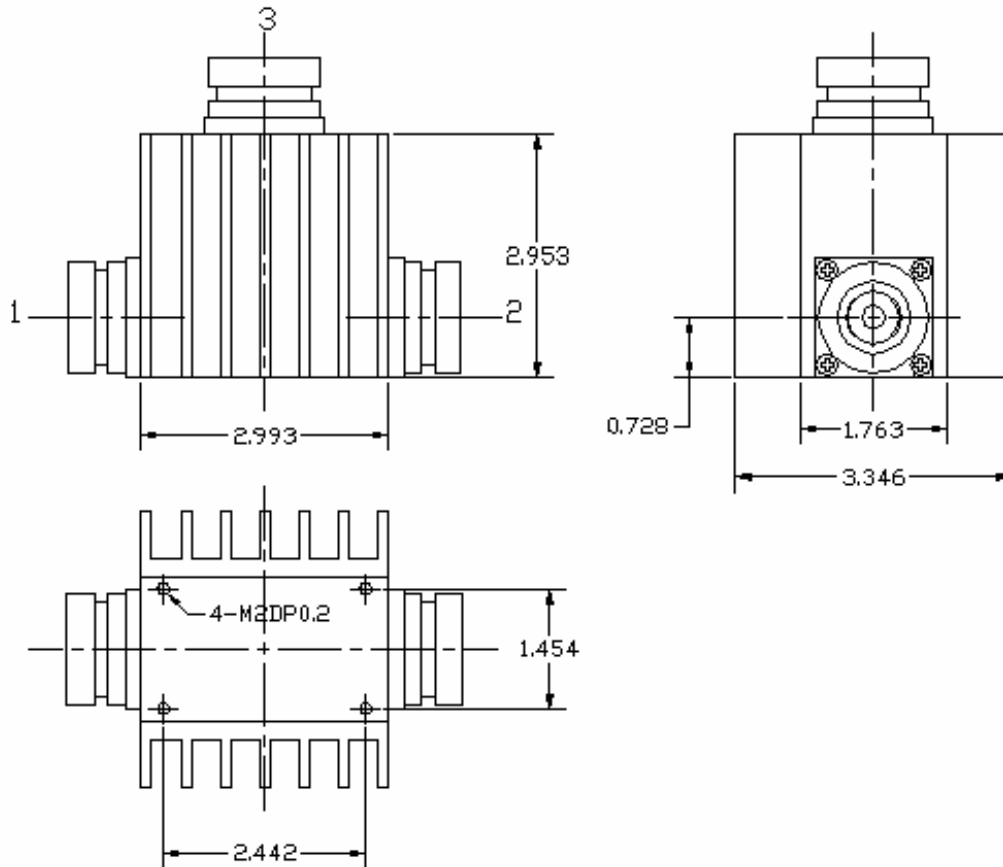
**Ordering Information:**

Part Number:



Example: F2550-1300-03N is a part with 1.3GHz center frequency, 3% (or 40MHz) bandwidth, and type N female connectors.

Mechanical Structure:



Note: All units in inches.