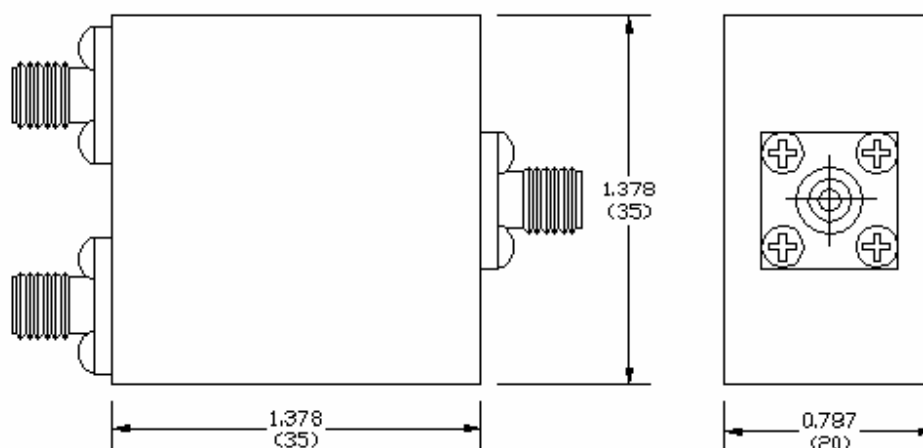


Key Features:

- Frequency range: 0.96~1.22MHz
- SMA connectorized configuration
- Small size, low cost
- Power handling >+30Watts CW, 3kWatts pulse
- Operating temperature -55~+85°C
- Customer specify other center frequency and bandwidth

Electrical Specifications

Part No.	Freq Range GHz	Insertion Loss, dB	Reverse Isolation, dB	VSWR	Power CW, Watts	Power Pulse, kWatts	Temp. Range, °C
F2557-0109-24	0.96-1.22	0.5 Max	≥ 20	≤1.2	≥ 30	≥3	-55 ~ +85

Mechanical Structure:

Note: All units in inches(mm).

Ordering Information:

F2557-XXXX-XX
 ↓ ↓
 Bandwidth, XX%,
 Center Frequency XX.XX GHz