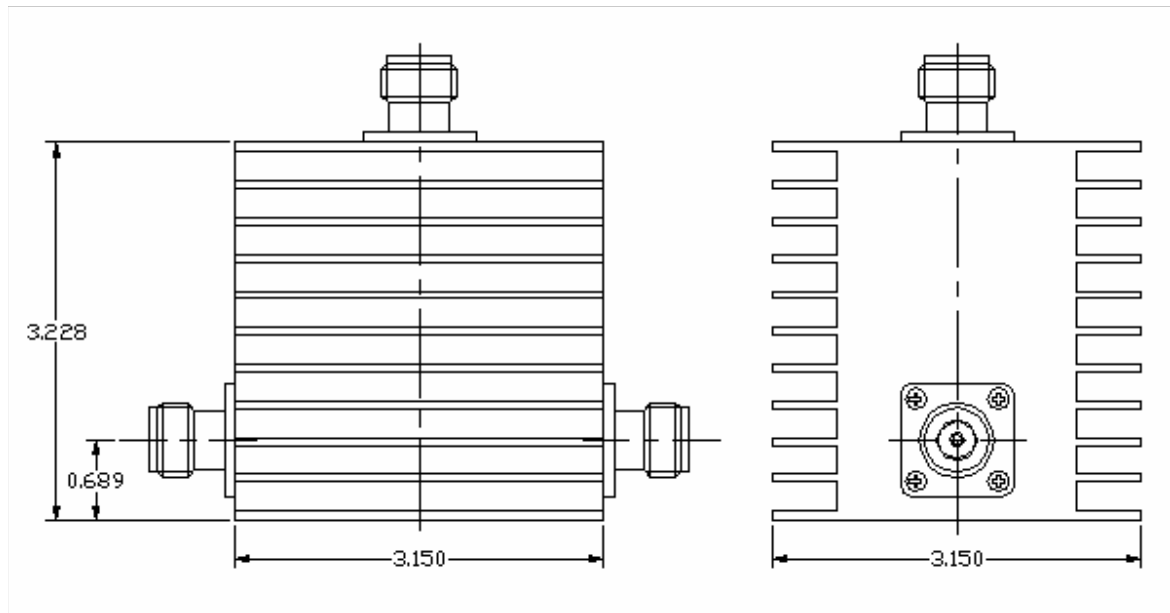


**Key Features:**

- Frequency range: 1.0~1.6GHz, 200MHz bandwidth
- Low insertion loss and good VSWR
- Power handling up to 500Watts CW, 2000Watts peak pulse power
- Input/output 50 ohm N-female or male connectors
- Customer specify center frequency and bandwidth

**Electrical Specifications**

Part No.	Freq Range MHz	Insertion Loss, dB Max	Reverse Iso., dB Min	VSWR Max.	Forward Power, Watts	Pulse Power Watts	Temp. Range, °C
F2578-0106-11	1000-1120	0.4	20	≤1.30	≥ 500	>2kW	0 ~ +50
F2578-0120-17	1100-1300	0.35	25	≤1.25	≥ 500	>2kW	0 ~ +50
F2578-0130-15	1200-1400	0.35	25	≤1.25	≥ 500	>2kW	0 ~ +50

**Mechanical Structure:**

Note: All units are in inches.

**Ordering Information:**

F2578-XXXX-XX  
          ↓          ↓  
          Bandwidth, XX%,  
          Frequency XX.XX GHz,