

Key Features:

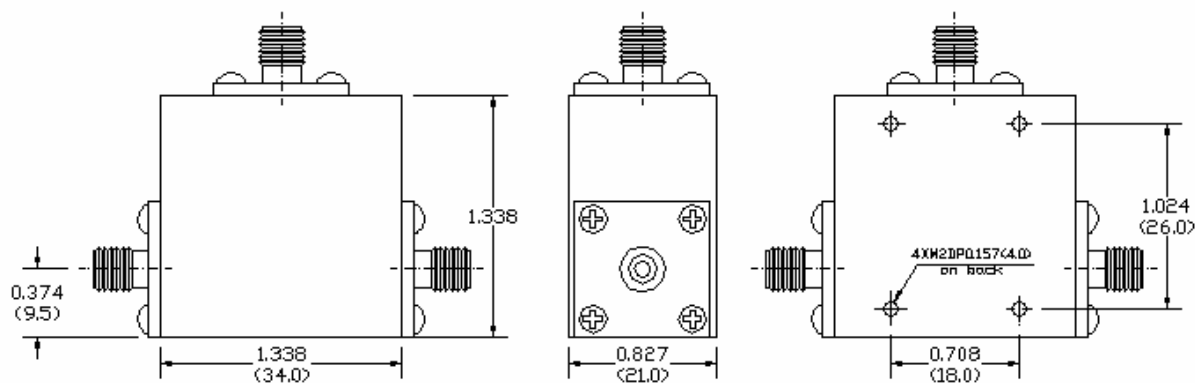
- Frequency range: 1300~1900MHz full band
- SMA connectorized configuration
- Small size, low cost
- Power handling >+100Watts forward
- Operating temperature -40~+80°C
- Default circulation direction is clockwise, customer can specify otherwise



Electrical Specifications

Part No.	Freq Range MHz	Insertion Loss, dB Typ/Max	Reverse Isolation, dB	VSWR	Forward Power, Watts	Temp. Range, °C
F2580-0160-38	1300-1900	0.3/0.5	≥ 17	≤1.35	≥ 100	-40 ~ +80

Mechanical Structure:



Note: All units are in inches (mm).

Ordering Information:

