

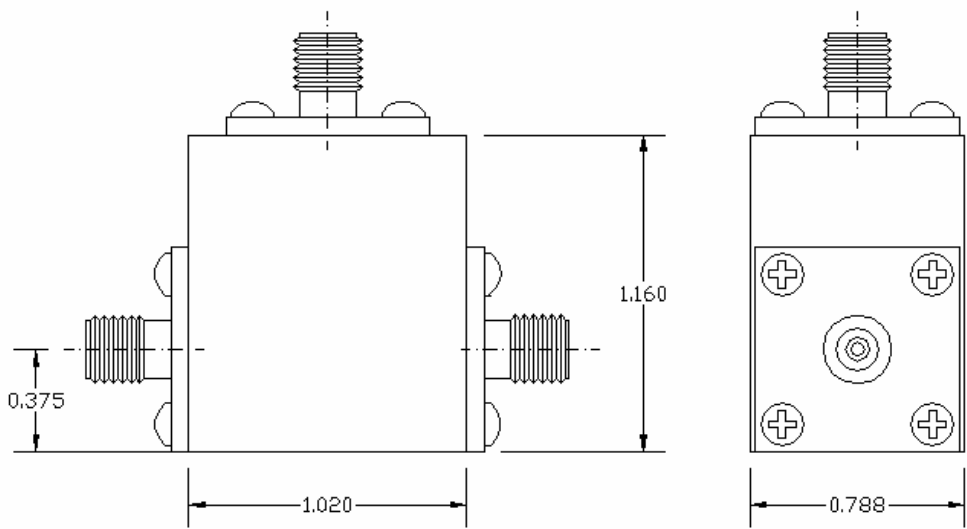
**Key Features:**

- Frequency range: 2500~4000MHz
- SMA or N connector, female or male, default SMA-F
- Small size, low cost
- Power handling >+25Watts forward
- Operating temperature -30~+60°C
- Customer specify center frequency and bandwidth

**Electrical Specifications**

Part No.	Freq Range MHz	Insertion Loss, dB Typ/Max	Reverse Isolation, dB	VSWR	Forward Power, Watts	Temp. Range, °C
F2602-0290-07	2800-3000	0.3/0.5	≥ 20	≤1.2	25	-30 ~ +60
F2602-0300-07	2900~3100	0.3/0.5	≥ 20	≤1.2	25	-30 ~ +60
F2602-0310-06	3000~3200	0.3/0.5	≥ 20	≤1.2	25	-30 ~ +60
F2602-0330-12	3100~3500	0.3/0.5	≥ 20	≤1.2	25	-30 ~ +60
F2602-0360-06	3500~3600	0.3/0.5	≥ 20	≤1.2	25	-30 ~ +60
F2602-0370-01	3680~3720	0.3 Max	≥ 23	≤1.15	25	-30 ~ +60

**Mechanical Structure:**



Note: All units are in inches.

**Ordering Information:**

