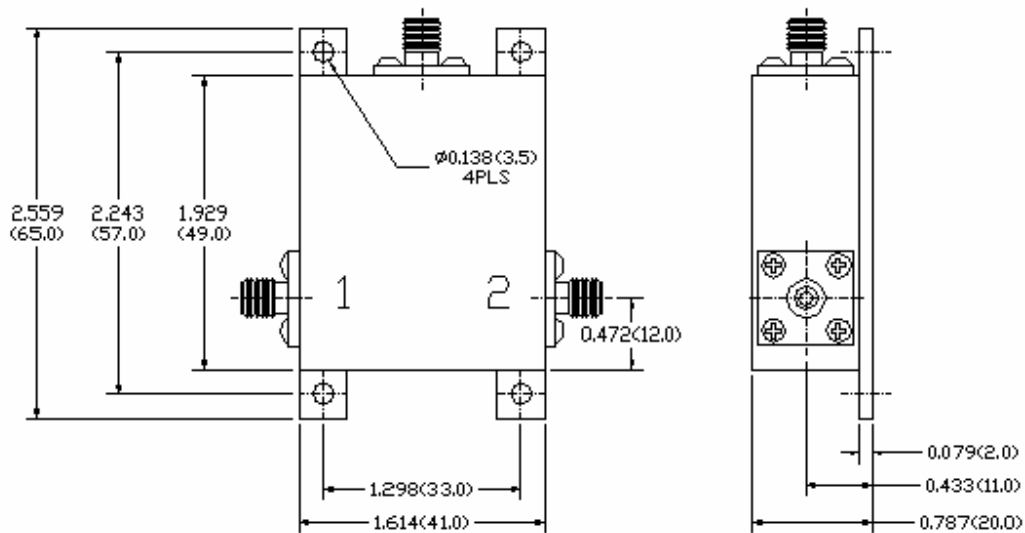


Key Features:

- Frequency range: 500~1000MHz, full band operation
- Small size, low cost
- 50 ohm SMA female I/O
- Power handling +10 Watts CW,
- Operating temperature -30~+65°C

**Electrical Specifications**

Part No.	Freq Range MHz	Insertion Loss, dB	Reverse Isolation, dB	VSWR	FW Power, Watts	Temp. Range, °C
F2870-0750-67	500-1000	1.5 Max	≥ 14	≤ 1.6	10.0	-30 ~ +65

Mechanical Structure:

Note: All units in inches (mm).

Ordering Information:

F2870-XXXX-XX
 ↓ ↓
 Bandwidth, XX%,
 ↓
 Frequency X.XXX GHz