

Key Features:

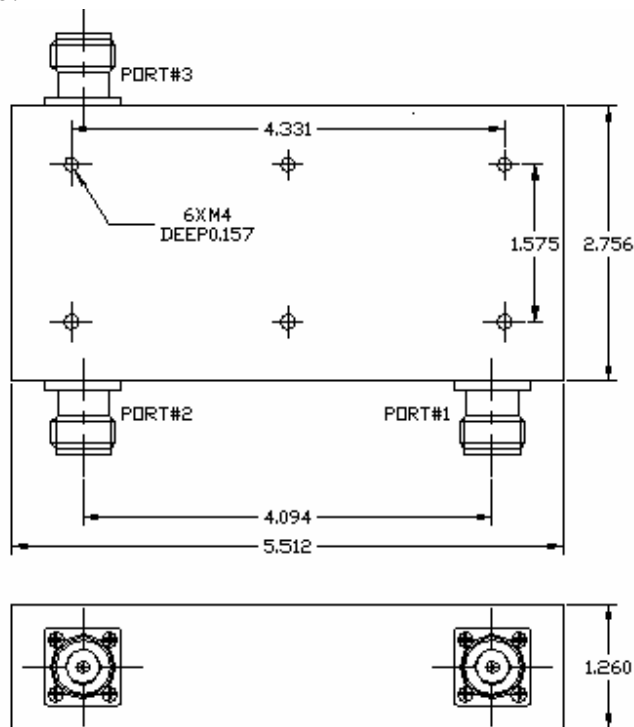
- Frequency range: 70~250MHz, 5% to 22% bandwidth
- N-female connectors, SMA female upon request
- Power handling +100 Watts
- Operating temperature -20~+50°C
- Customer specify center frequency and bandwidth

Electrical Specifications

Part No.	Freq Range MHz	Insertion Loss, dB 1-2	Insertion Loss, dB 2-3	Reverse Isolation, dB 2-1	Reverse Isolation, dB 3-2, 1-3	VSWR	Forward Power, Watts	Temp. Range, °C
F2915-0133-22	118~148	1.2 Max	0.6 Max	≥ 40*	≥ 20*	≤ 1.2*	≥ 100	-20 ~ +50

Note: (1) Specification reduce to 36dB/18dB reverse isolation, and 1.3:1 VSWR at 100 Watt power input
 (2) Reverse termination is 25 Watt

Mechanical Structure:



Note: All units in inches.

Ordering Information:

