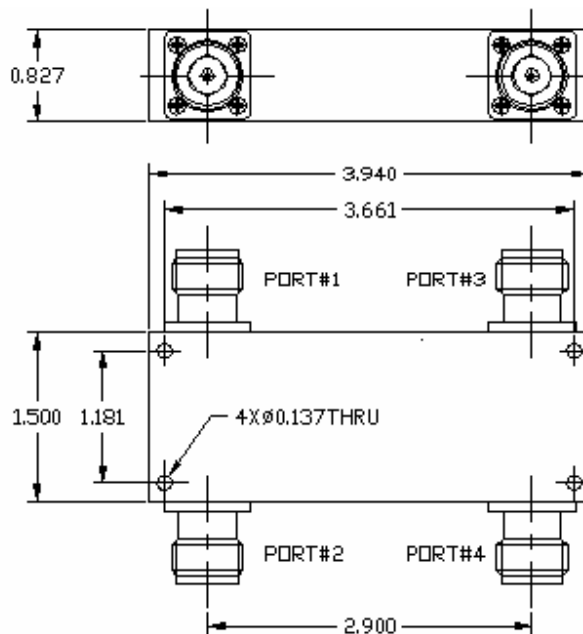


**Key Features:**

- Center frequency range: 1900~2500MHz, 10~20MHz bandwidth
- Dual junction for high isolation
- N type female connectors
- Power handling >+10Watts
- Operating temperature -30~+60°C

**Electrical Specifications**

Part No.	Freq Range MHz	Insertion Loss, dB 1-2, 3-4	Insertion Loss, dB 2-3, 4-1	Reverse Isolation, dB, 2-1, 4-3	Reverse Isolation, dB, 3-2, 1-4	VSWR	Forward Power, Watts	Temp. Range, °C
F2928-2336-01	2326-2346	0.5	0.8	≥20	≥40	≤1.2	≥10	-40 ~ +70
F2928-2340-01	2330-2350	0.5	0.8	≥20	≥40	≤1.2	≥10	-40 ~ +70

**Mechanical Structure:**

Note: All units in inches

**Ordering Information:**

F2928-XXXX-XX  
                  ↓                  ↓  
                  Bandwidth, XX%,  
                  Frequency XXXX MHz,