

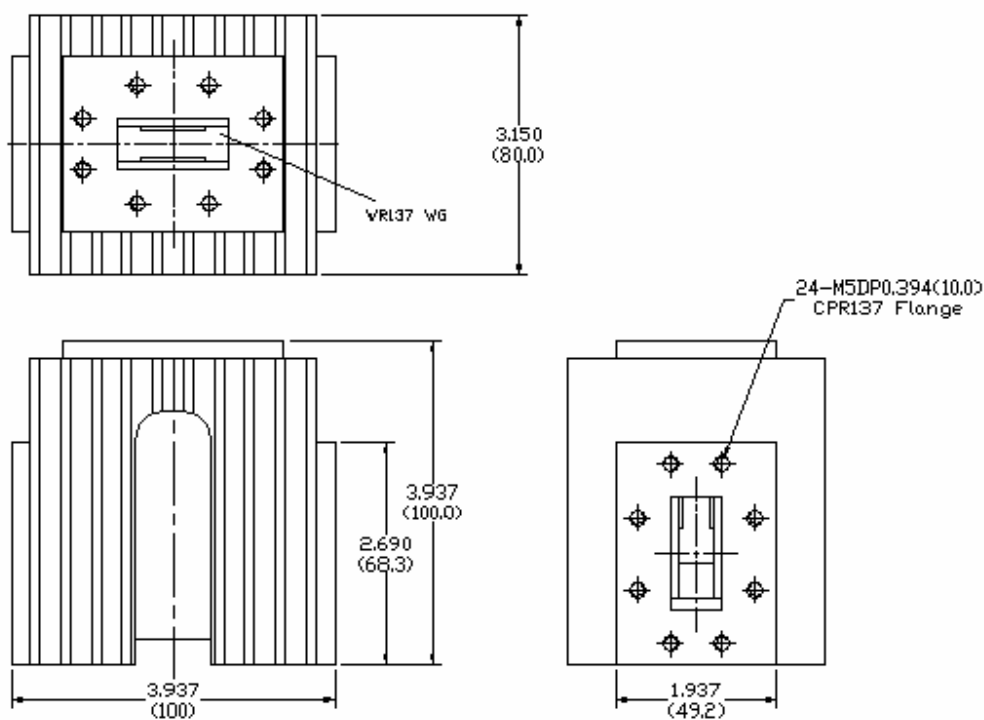
Key Features:

- Frequency range: 5.8~8.3GHz with up to 10% bandwidth
- WR-137 waveguide, CPR137 flange
- Power handling 1000Watts CW
- Customer can specify center frequency and bandwidth

Electrical Specifications

Part No.	Freq Range GHz	Insertion Loss, dB	Reverse Isolation, dB	VSWR	CW Power, Watts	Temp. Range, °C
F3620-0615-10	5.85~6.45	0.3 Max	≥ 20	≤1.2	1000	-10 ~ +65

Mechanical Structure:



All units in inches(mm)

Ordering Information:

