

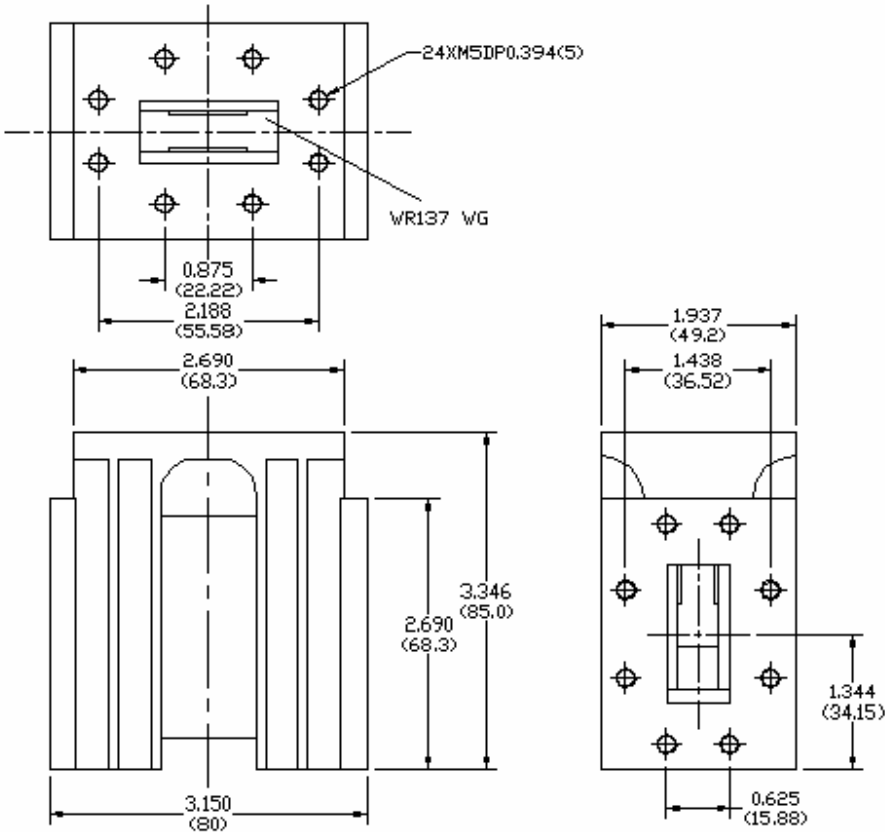
Key Features:

- Frequency range: 5.85~6.35GHz full band
- WR-137 waveguide, CPR137 flange
- Power handling 400Watts CW

Electrical Specifications

Part No.	Freq Range MHz	Insertion Loss, dB	Reverse Isolation, dB	VSWR	CW Power, Watts	Temp. Range, °C
F3621-0610-08	5.85~6.35	0.3 Max	≥ 20	≤1.2	≥ 400	-30 ~ +60

Mechanical Structure:



All units in inches

Ordering Information:

