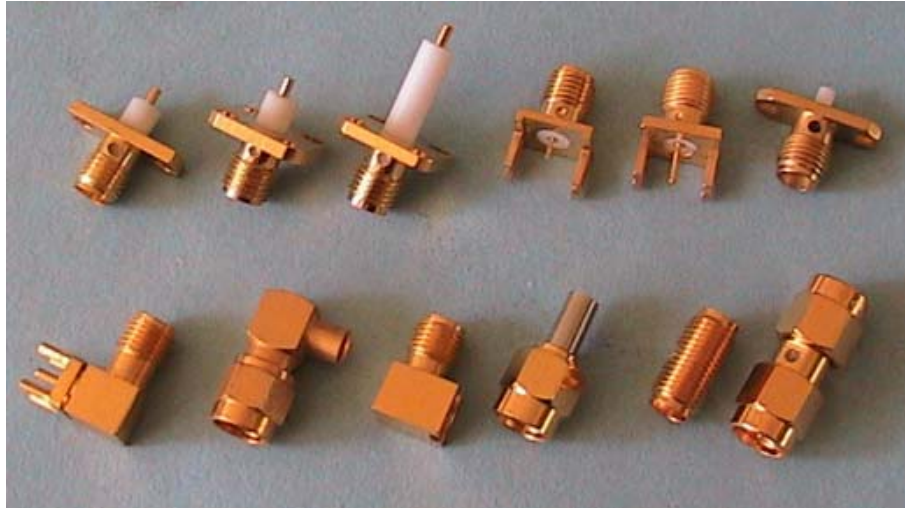


Our RPSMA (Reverse Polarity Sub-Miniature Type A) connectors are manufactured per MIL-C-39012, IEC169-15 and feature excellent RF performance, high reliability, long life and low costs. RPSMA connectors are widely used in commercial and consumer electronics.

**Electrical Specifications:**

Characteristic impedance:	50 Ω
Frequency range:	
Semi-rigid cable:	0~18 GHz
Flexible cable:	0~12.4GHz
VSWR:	
Semi-rigid cable:	1.10+0.01f(GHz)
Flexible cable:	1.20+0.025f(GHz)
Insertion loss:	0.03f(GHz) dB max
RF leakage:	-60 dB max
Voltage:	700V RMS
Insulation:	>5000 M Ω
Contact resistance:	
Inner conductor:	<5 m Ω
Outer conductor:	<5 m Ω

Mechanical and environment specifications:

Temperature range:	-65°C~+155°C
Connection strength:	>100 lbs
Mating torque:	5 n-lbs
Vibration:	10g
Shock:	100g
Life:	500 times

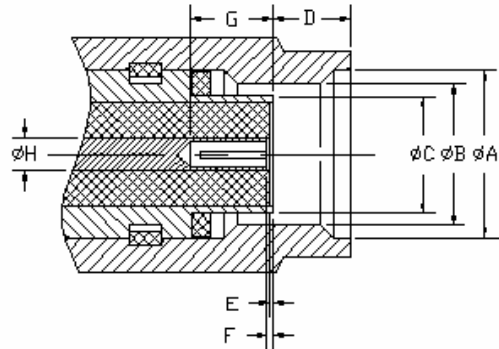
Material

Body: Brass with gold plated, or stainless steel with surface passivated
 Center Contact: Beryllium copper with gold plated
 Insulator: PTFE :

Mating Engagement Interfaces

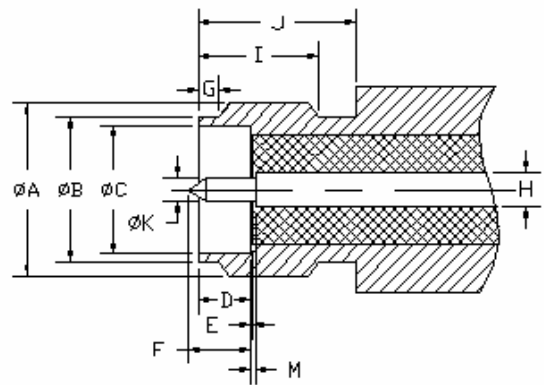
Male (Plug)

	Minimum inch (mm)	Maximum inch (mm)
A	0.25(6.35)	0.265(6.73)
B	1/4 10 36 UNS 2B	
C	0.178(4.53)	0.181(4.59)
D	0.100(2.54)	0.135(3.43)
E	0.00	0.007(0.18)
F	0.00	0.010(0.25)
G	0.115(2.92)	-
H	0.049(1.24)	0.051(1.30)



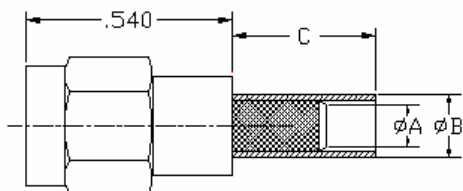
Female (Jack)

	Minimum inch (mm)	Maximum inch (mm)
A	1/4 10 36 UNS 2A	
B	0.208(5.28)	0.216(5.49)
C	0.181(4.60)	0.185(4.70)
D	0.074(1.88)	0.078(1.98)
E	0.00	0.007(0.18)
F	0.075(1.91)	0.085(2.16)
G	0.015(0.38)	0.045(1.14)
H	0.049(1.24)	0.051(1.30)
I	0.170(4.31)	-
J	0.218(5.54)	-
K	0.035(0.90)	0.037(0.94)
M	0.00	0.010(0.25)



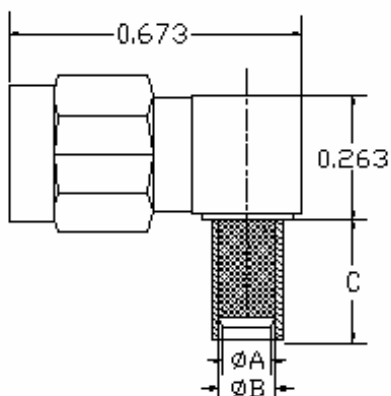
1. Flexible Cable Connectors

Straight Cable Male



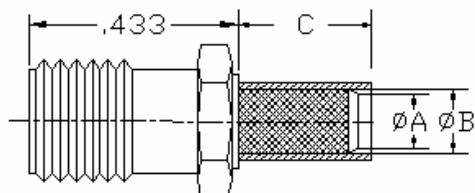
Part Number	Cable Type	A(inch)	B(inch)	C(inch)
RPSMA1112-1	RG-174/U, 188A/U, 316/U, LMR-100A	0.063	0.110	0.375
RPSMA1112-2	RG316DT, RD316	0.063	0.134	0.375
RPSMA1112-3	RG-58/U, 141A/U, 303/U, LMR-195	0.122	0.205	0.472
RPSMA1112-4	RG-55/U, 142B/U, 223/U, 400/U	0.122	0.224	0.590

Right Angle Cable Male

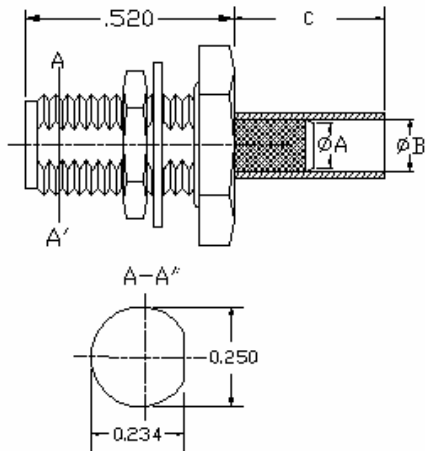


Part Number	Cable Type	A(inch)	B(inch)	C(inch)
RPSMA1118-1	RG-174/U, 188A/U, 316/U, LMR-100A	0.063	0.110	0.375
RPSMA1118-2	RG316DT, RD316	0.063	0.134	0.375
RPSMA1118-3	RG-58/U, 141A/U, 303/U, LMR-195	0.122	0.205	0.472
RPSMA1118-4	RG-55/U, 142B/U, 223/U, 400/U	0.122	0.224	0.590

Straight Cable Female



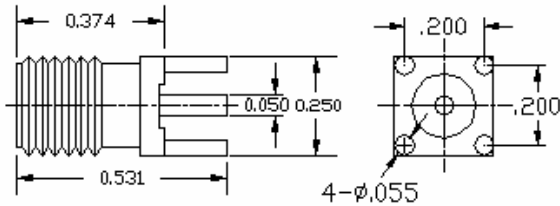
Part Number	Cable Type	A(inch)	B(inch)	C(inch)
RPSMA1116-1	RG-174/U, 188A/U, 316/U, LMR-100A	0.063	0.110	0.375
RPSMA1116-2	RG316DT, RD316	0.063	0.134	0.375
RPSMA1116-3	RG-58/U, 141A/U, 303/U, LMR-195	0.122	0.205	0.472
RPSMA1116-4	RG-55/U, 142B/U, 223/U, 400/U	0.122	0.224	0.590



Bulkhead Straight Cable Female

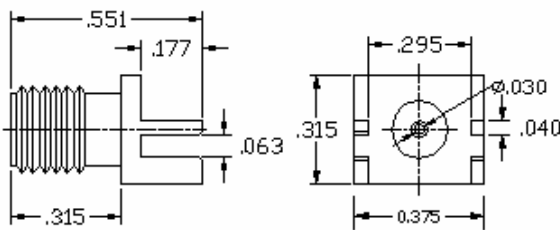
Part Number	Cable Type	A(inch)	B(inch)	C(inch)
RPSMA1126-1	RG-174/U, 188A/U, 316/U, LMR-100A	0.063	0.110	0.375
RPSMA1126-2	RG316DT, RD316	0.063	0.134	0.375
RPSMA1126-3	RG-58/U, 141A/U, 303/U. LMR-195	0.122	0.205	0.472
RPSMA1126-4	RG-55/U, 142B/U, 223/U, 400/U	0.122	0.224	0.590

3. Printed Circuit Board and Surface Mount Connectors



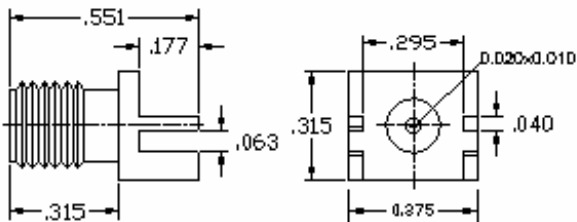
Straight Female PCB Mount Connector

Part Number
RPSMA1211



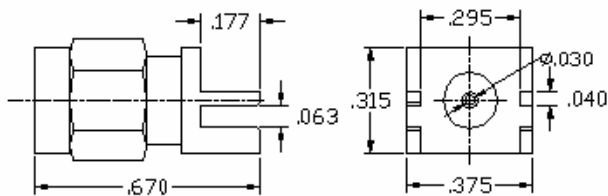
Straight Female PCB Mount Connector

Part Number
RPSMA1227



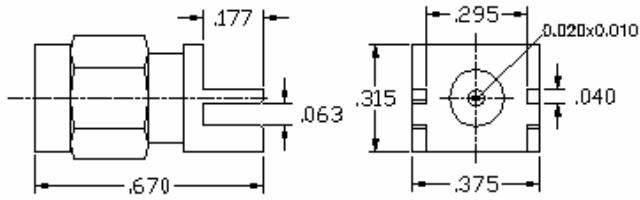
Straight Female PCB Mount – Flat Tap

Part Number
RPSMA1228



Straight Male PCB Mount Connector

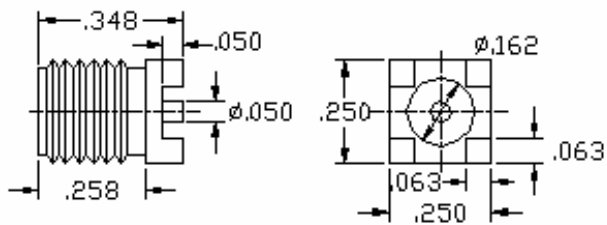
Part Number
RPSMA1229



Straight Male PCB Mount – Flat Tap

Part Number

RPSMA1230

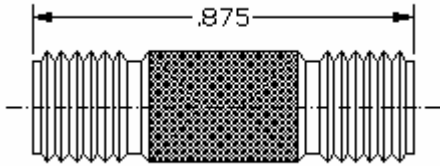


Straight Female SMT Mount

Part Number

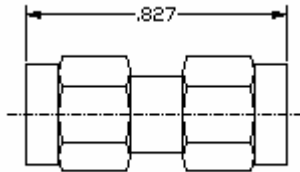
RPSMA1235

3. In-Series Adapters



Female to Female

Part Number
RPSMA1802



Male to male

Part Number
RPSMA1803
